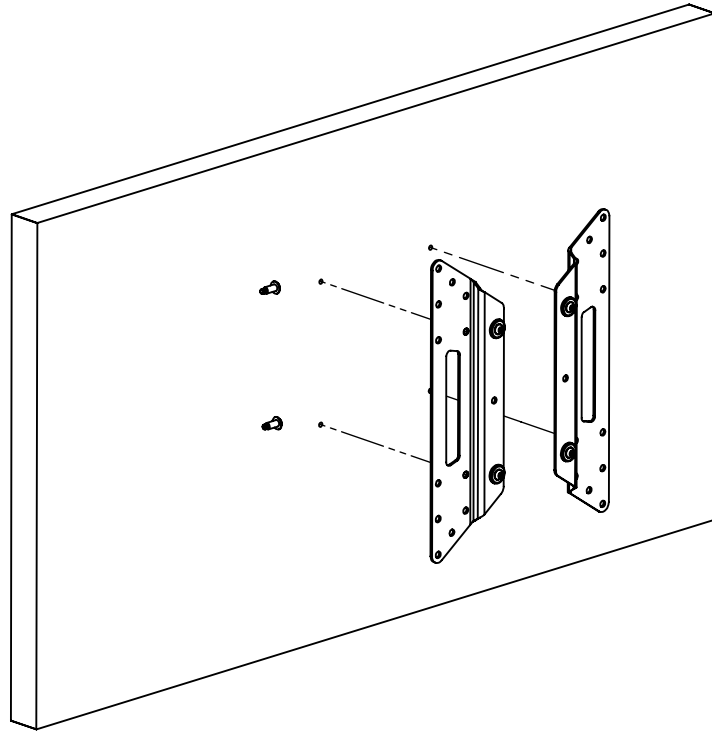


8. Attach Brackets to Display

Use holes shown.



9. Install Display

Insert the four shoulder washers on the brackets through the keyhole openings and rest washers at the bottom of the openings.

