

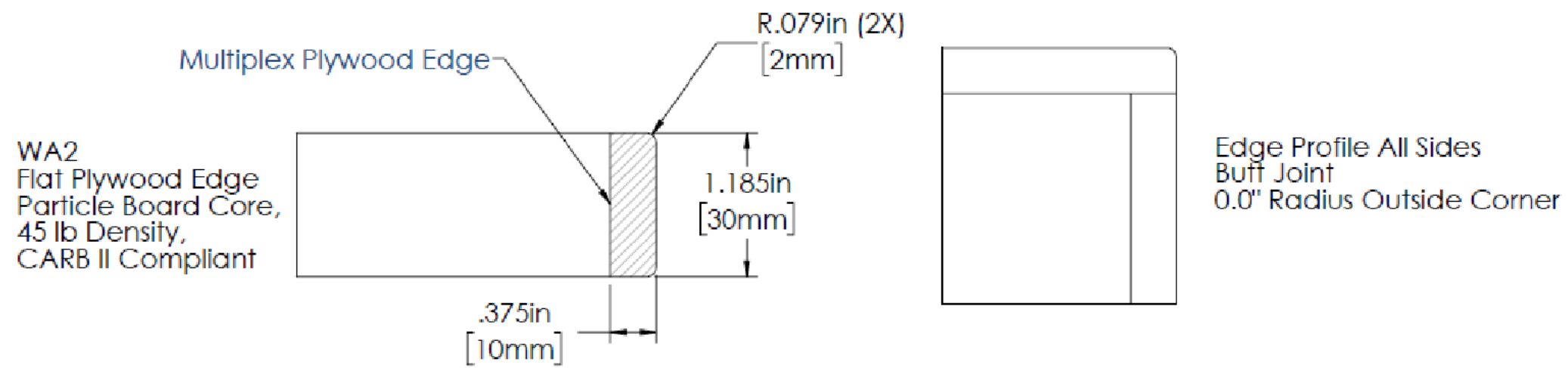
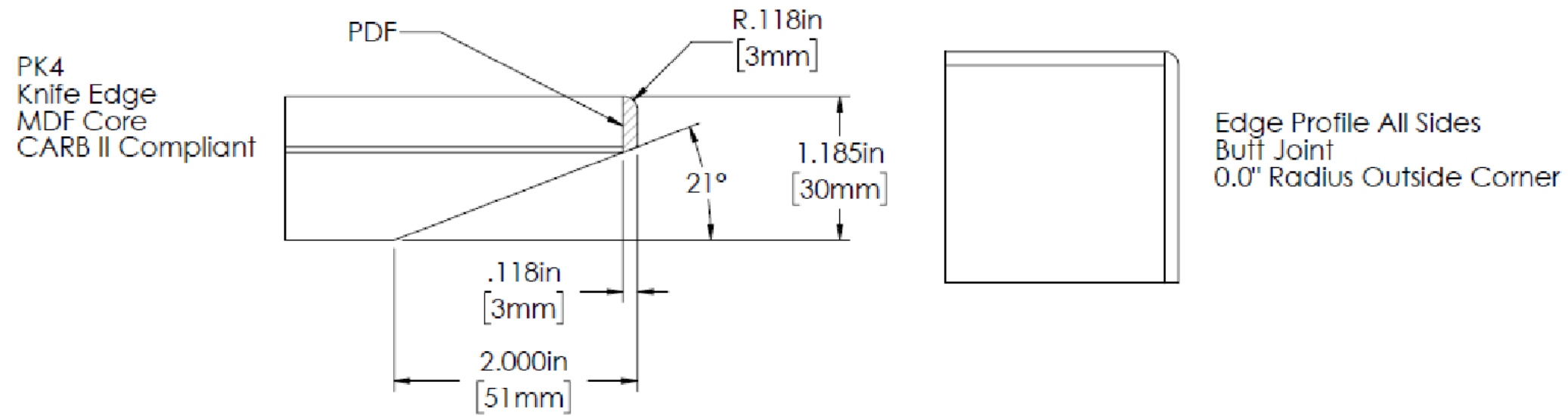
PROPRIETARY INFORMATION: THIS MATERIAL AND THE CONTENTS THEREOF ARE CONSIDERED THE PROPERTY OF SALAMANDER DESIGNS, AND THE DISCLOSURE TO UNAUTHORIZED INDIVIDUALS OR DISSEMINATION, PUBLICATION, OR COPYING THEREOF IS PROHIBITED WITHOUT PRIOR WRITTEN CONSENT BY SALAMANDER DESIGNS OF BLOOMFIELD, CONNECTICUT.


		811 BLUE HILLS AVE. BLOOMFIELD, CT 06002 T/ 860.313.0525 / F/ 860.313.0526		SIZE B
TITLE: SALAMANDER CONFERENCE TABLE HEX BASE - 60 X 192 MATED RECTANGLE				
MATERIAL		SURFACE TREATMENT		
DRAWN BY G. KESSLER	DATE 08-10-2020	HEAT TREATMENT		
ENGINEER	CHECKED BY	SCALE	SHEET	
DRAWING NUMBER		1 OF 2		REV
PB365_TM1_MR_60192.SLDDRW				

8 7 6 5 4 3 2 1

D
C
B
A

D
C
B
A



		811 BLUE HILLS AVE. BLOOMFIELD, CT 06002 T/ 860.313.0525 / F/ 860.313.0526		SIZE B
TITLE: SALAMANDER CONFERENCE TABLE HEX BASE - 60 X 192 MATED RECTANGLE				
MATERIAL SEE NOTE		SURFACE TREATMENT		
DRAWN BY G.KESSLER	DATE 08-10-2020	HEAT TREATMENT		
ENGINEER xxx	CHECKED BY	SCALE xx	SHEET 2 OF 2	
DRAWING NUMBER PB365_TM1_MR_60192.SLDDRW				REV xx

PROPRIETARY INFORMATION: THIS MATERIAL AND THE CONTENTS THEREOF ARE CONSIDERED THE PROPERTY OF SALAMANDER DESIGNS, AND THE DISCLOSURE TO UNAUTHORIZED INDIVIDUALS OR DISSEMINATION, PUBLICATION, OR COPYING THEREOF IS PROHIBITED WITHOUT PRIOR WRITTEN CONSENT BY SALAMANDER DESIGNS OF BLOOMFIELD, CONNECTICUT.

8 7 6 5 4 3 2 1