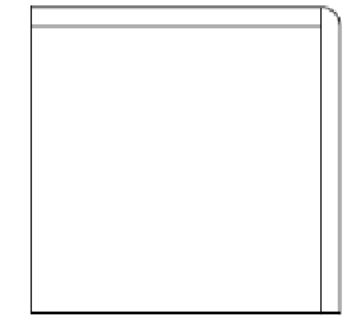
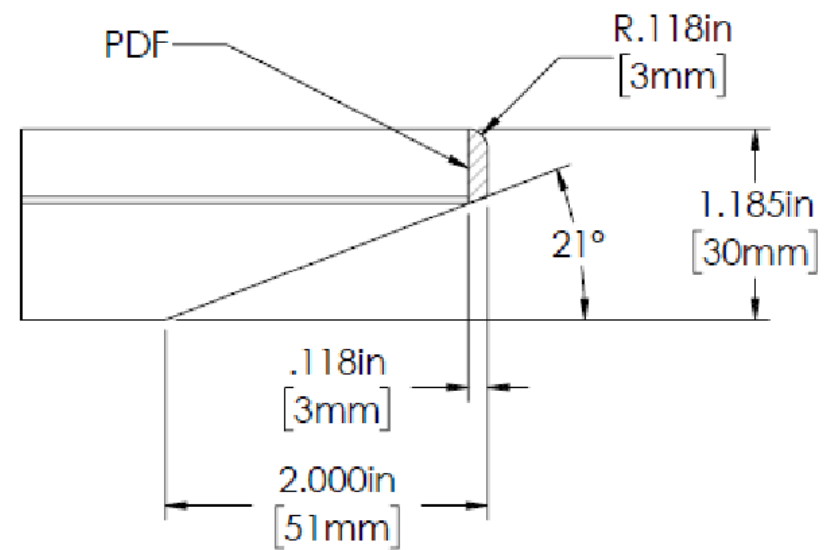
		811 BLUE HILLS AVE. BLOOMFIELD, CT 06002 T/ 860.313.0525 / F/ 860.313.0526		SIZE <b>B</b>
TITLE: <b>SALAMANDER CONFERENCE TABLE          QUAD BASE - 48 X 120 RECTANGLE</b>				
MATERIAL		SURFACE TREATMENT		
DRAWN BY <b>G.KESSLER</b>	DATE <b>8-4-20</b>	HEAT TREATMENT		
ENGINEER	CHECKED BY	SCALE	SHEET	
DRAWING NUMBER		1 OF 2		REV
<b>PB340TM1_R_48120.SLDDRW</b>				

**PROPRIETARY INFORMATION:** THIS MATERIAL AND THE CONTENTS THEREOF ARE CONSIDERED THE PROPERTY OF SALAMANDER DESIGNS, AND THE DISCLOSURE TO UNAUTHORIZED INDIVIDUALS OR DISSEMINATION, PUBLICATION, OR COPYING THEREOF IS PROHIBITED WITHOUT PRIOR WRITTEN CONSENT BY SALAMANDER DESIGNS OF BLOOMFIELD, CONNECTICUT.

8 7 6 5 4 3 2 1

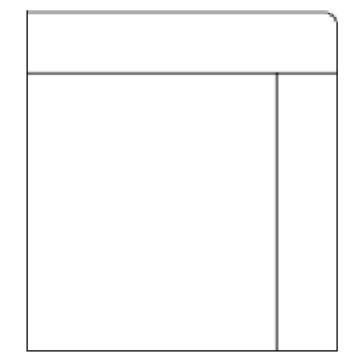
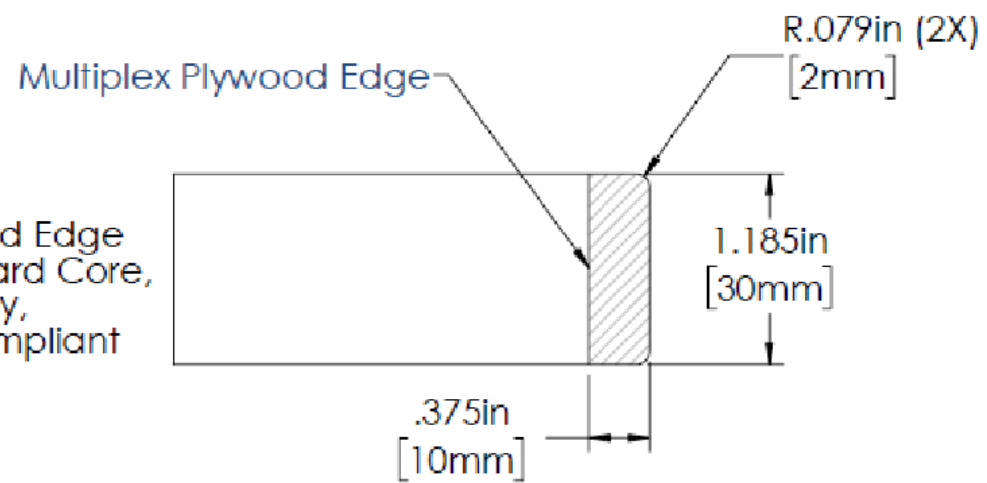
D  
C  
B  
A

PK4  
Knife Edge  
MDF Core  
CARB II Compliant




Edge Profile All Sides  
Butt Joint  
0.0" Radius Outside Corner

WA2  
Flat Plywood Edge  
Particle Board Core,  
45 lb Density,  
CARB II Compliant



Edge Profile All Sides  
Butt Joint  
0.0" Radius Outside Corner

		811 BLUE HILLS AVE. BLOOMFIELD, CT 06002 /T/ 860.313.0525 /F/ 860.313.0526		SIZE <b>B</b>
TITLE: <b>SALAMANDER CONFERENCE TABLE                  QUAD BASE - 48 X 120 RECTANGLE</b>				
MATERIAL <b>SEE NOTE</b>		SURFACE TREATMENT		
DRAWN BY <b>G.KESSLER</b>	DATE <b>8-4-20</b>	HEAT TREATMENT		
ENGINEER <b>XXX</b>	CHECKED BY	SCALE <b>XX</b>	SHEET <b>2 OF 2</b>	
DRAWING NUMBER <b>PB340TM1_R_48120.SLDDRW</b>				REV <b>XX</b>

**PROPRIETARY INFORMATION:** THIS MATERIAL AND THE CONTENTS THEREOF ARE CONSIDERED THE PROPERTY OF SALAMANDER DESIGNS, AND THE DISCLOSURE TO UNAUTHORIZED INDIVIDUALS OR DISSEMINATION, PUBLICATION, OR COPYING THEREOF IS PROHIBITED WITHOUT PRIOR WRITTEN CONSENT BY SALAMANDER DESIGNS OF BLOOMFIELD, CONNECTICUT.

8 7 6 5 4 3 2 1