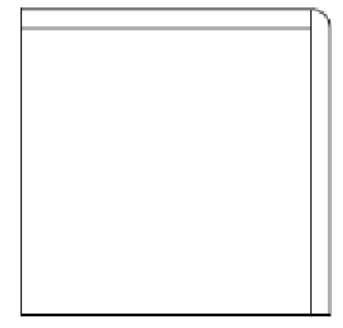
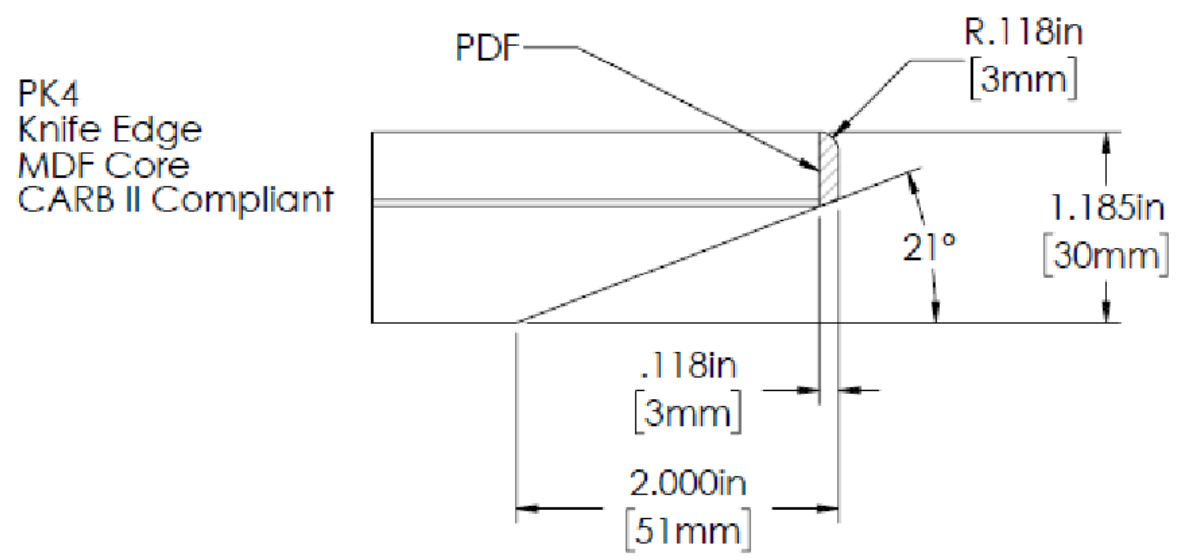
		811 BLUE HILLS AVE. BLOOMFIELD, CT 06002 T/ 860.313.0525 / F/ 860.313.0526		SIZE B
TITLE: SALAMANDER CONFERENCE TABLE TRIPLE BASE - 60 X 96 RESTANGLE				
MATERIAL		SURFACE TREATMENT		
DRAWN BY G.KESSLER	DATE 8-3-20	HEAT TREATMENT		
ENGINEER	CHECKED BY	SCALE	SHEET	
				1 OF 2
DRAWING NUMBER				REV
PB330_TM1_R_6096.SLDDRW				

PROPRIETARY INFORMATION: THIS MATERIAL AND THE CONTENTS THEREOF ARE CONSIDERED THE PROPERTY OF SALAMANDER DESIGNS, AND THE DISCLOSURE TO UNAUTHORIZED INDIVIDUALS OR DISSEMINATION, PUBLICATION, OR COPYING THEREOF IS PROHIBITED WITHOUT PRIOR WRITTEN CONSENT BY SALAMANDER DESIGNS OF BLOOMFIELD, CONNECTICUT.

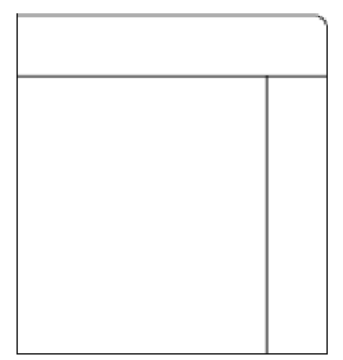
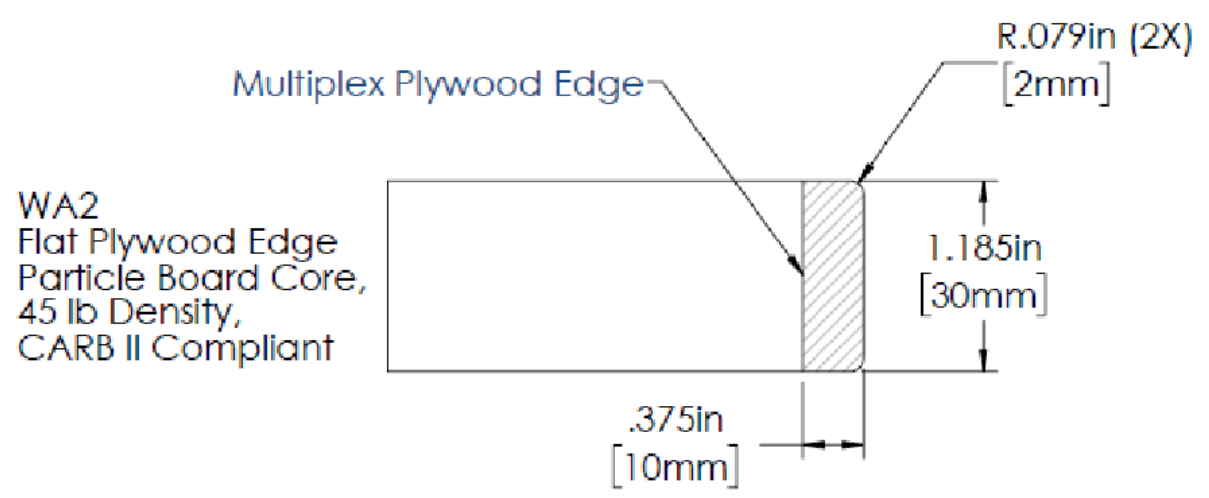
8 7 6 5 4 3 2 1

D
C
B
A


D
C
B
A



Edge Profile All Sides
Butt Joint
0.0" Radius Outside Corner



Edge Profile All Sides
Butt Joint
0.0" Radius Outside Corner

		811 BLUE HILLS AVE. BLOOMFIELD, CT 06002 T/ 860.313.0525 / F/ 860.313.0526		SIZE B
TITLE: SALAMANDER CONFERENCE TABLE TRIPLE BASE - 60 X 96 RESTANGLE				
MATERIAL		SEE NOTE		SURFACE TREATMENT
DRAWN BY	G.KESSLER	DATE	8-3-20	HEAT TREATMENT
ENGINEER	xxx	CHECKED BY	xx	SCALE
DRAWING NUMBER	PB330_TM1_R_6096.SLDDRW			SHEET
REV	xx			

PROPRIETARY INFORMATION: THIS MATERIAL AND THE CONTENTS THEREOF ARE CONSIDERED THE PROPERTY OF SALAMANDER DESIGNS, AND THE DISCLOSURE TO UNAUTHORIZED INDIVIDUALS OR DISSEMINATION, PUBLICATION, OR COPYING THEREOF IS PROHIBITED WITHOUT PRIOR WRITTEN CONSENT BY SALAMANDER DESIGNS OF BLOOMFIELD, CONNECTICUT.

8 7 6 5 4 3 2 1