


MAX AREA FOR
ACCESSORY CUT-INS
LOCATIONS (6X)

OPTIONAL ACCESSORY
CUT-IN LOCATIONS
5.5" X 24" (BOTH ENDS)

REMOVABLE
COOLING VENT/
4.25" x 8.25"
WIRE PASSTHROUGH
(6x)

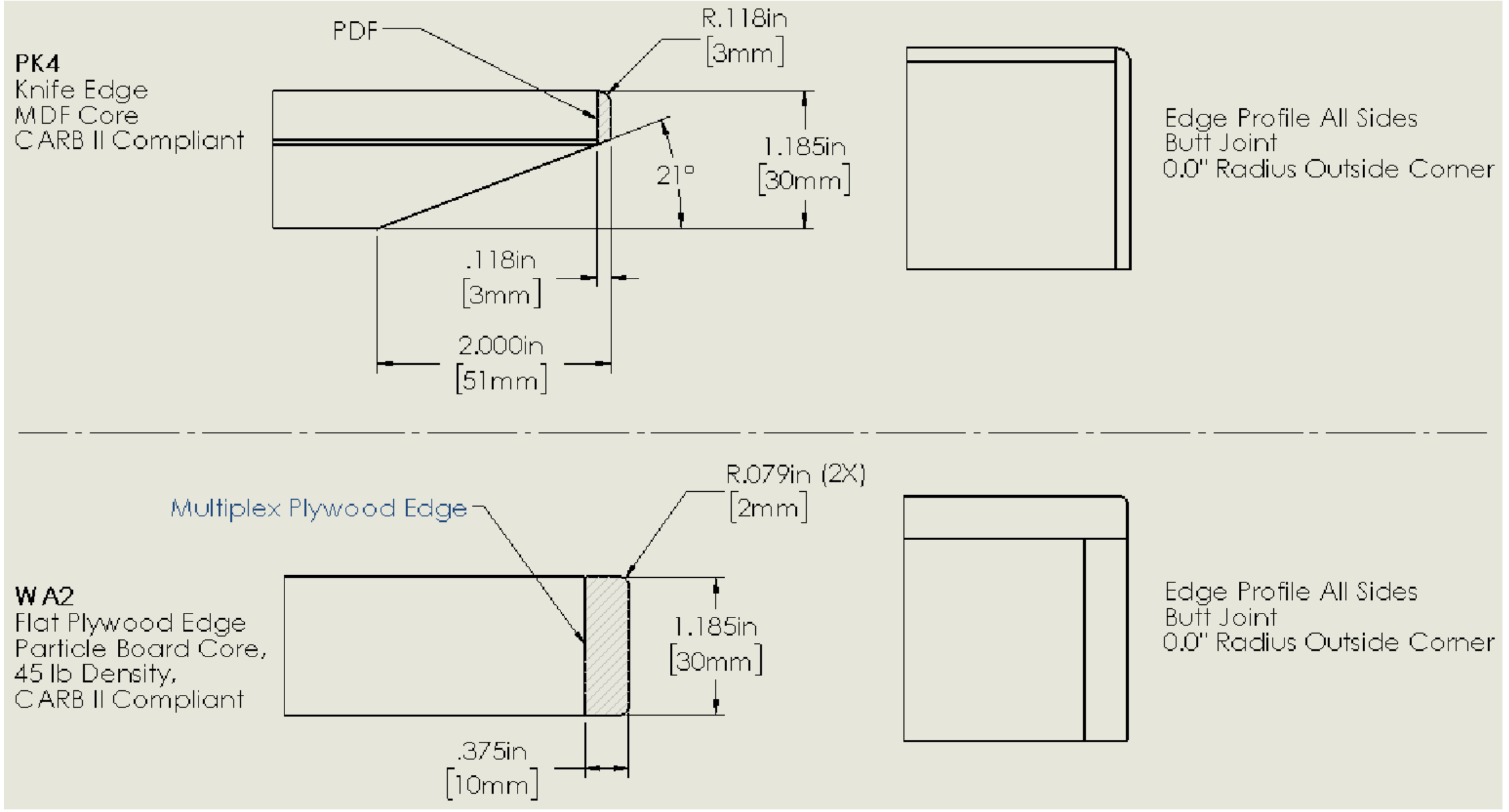
PROPRIETARY INFORMATION: THIS MATERIAL AND THE CONTENTS THEREOF ARE CONSIDERED THE PROPERTY OF SALAMANDER DESIGNS, AND THE DISCLOSURE TO UNAUTHORIZED INDIVIDUALS OR DISSEMINATION, PUBLICATION, OR COPYING THEREOF IS PROHIBITED WITHOUT PRIOR WRITTEN CONSENT BY SALAMANDER DESIGNS OF BLOOMFIELD, CONNECTICUT.


		811 BLUE HILLS AVE. BLOOMFIELD, CT 06002 T/ 860.313.0525 / F/ 860.313.0526		SIZE B
TITLE: SALAMANDER CONFERENCE TABLE 48 X 168 MATED BOAT				
MATERIAL		SURFACE TREATMENT		
DRAWN BY G.KESSLER	DATE 8-10-20	HEAT TREATMENT		
ENGINEER	CHECKED BY	SCALE	SHEET	
				1 OF 2
DRAWING NUMBER				REV
PB360_TM1_MB_48168.SLDDRW				

8 7 6 5 4 3 2 1

D
C
B
A

D
C
B
A



		811 BLUE HILLS AVE. BLOOMFIELD, CT 06002 T/ 860.313.0525 / F/ 860.313.0526		SIZE B
TITLE: SALAMANDER CONFERENCE TABLE 48 X 168 MATED BOAT				
MATERIAL SEE NOTE		SURFACE TREATMENT		
DRAWN BY G.KESSLER	DATE 8-10-20	HEAT TREATMENT		
ENGINEER XXX	CHECKED BY	SCALE XX	SHEET 2 OF 2	
DRAWING NUMBER PB360_TM1_MB_48168.SLDDRW				REV XX

PROPRIETARY INFORMATION: THIS MATERIAL AND THE CONTENTS THEREOF ARE CONSIDERED THE PROPERTY OF SALAMANDER DESIGNS, AND THE DISCLOSURE TO UNAUTHORIZED INDIVIDUALS OR DISSEMINATION, PUBLICATION, OR COPYING THEREOF IS PROHIBITED WITHOUT PRIOR WRITTEN CONSENT BY SALAMANDER DESIGNS OF BLOOMFIELD, CONNECTICUT.

8 7 6 5 4 3 2 1