

MAX AREA FOR
ACCESSORY CUT-
INS/LOCATIONS (4X)

OPTIONAL ACCESSORY
CUT-IN LOCATIONS
5.5" x 24" MAX (BOTH ENDS)

REMOVABLE COOLING
VENT / 4.25" X 8.25"
WIRE PASSTHROUGH (4X)

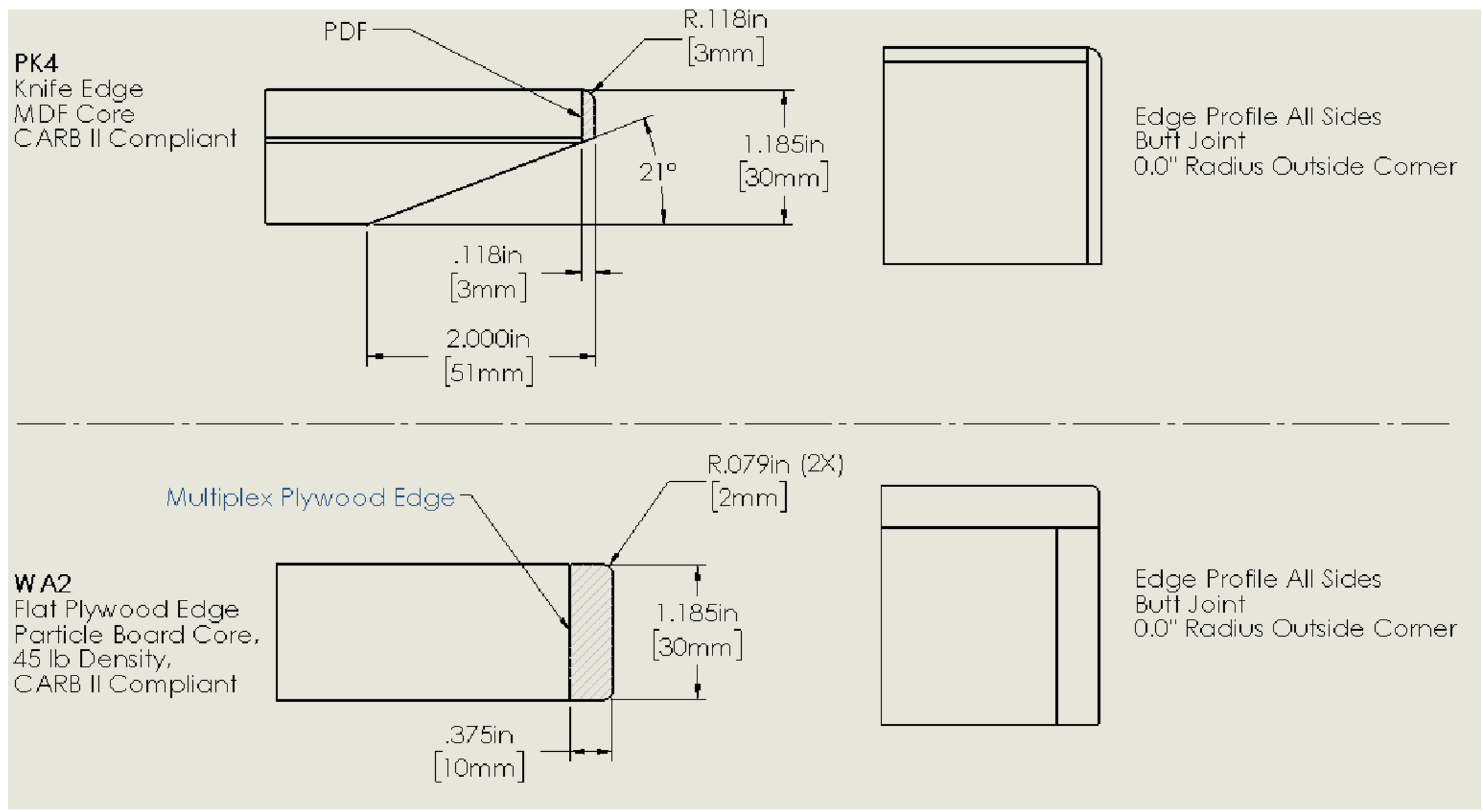
		811 BLUE HILLS AVE. BLOOMFIELD, CT 06002 T/ 860.313.0525 / F/ 860.313.0526		SIZE B
TITLE: SALAMANDER CONFERENCE TABLE QUAD BASE - 60 X 144				
MATERIAL		SURFACE TREATMENT		
DRAWN BY S. SINGH	DATE 08-10-2020	HEAT TREATMENT		
ENGINEER	CHECKED BY	SCALE	SHEET	
DRAWING NUMBER		PB345_TM1_B_60144.SLDDRW		1 OF 2 REV


PROPRIETARY INFORMATION: THIS MATERIAL AND THE CONTENTS THEREOF ARE CONSIDERED THE PROPERTY OF SALAMANDER DESIGNS, AND THE DISCLOSURE TO UNAUTHORIZED INDIVIDUALS OR DISSEMINATION, PUBLICATION, OR COPYING THEREOF IS PROHIBITED WITHOUT PRIOR WRITTEN CONSENT BY SALAMANDER DESIGNS OF BLOOMFIELD, CONNECTICUT.

8 7 6 5 4 3 2 1

D
C
B
A

D
C
B
A



		811 BLUE HILLS AVE. BLOOMFIELD, CT 06002 /T/ 860.313.0525 /F/ 860.313.0526		SIZE B
TITLE: SALAMANDER CONFERENCE TABLE QUAD BASE - 60 X 144				
MATERIAL SEE NOTE		SURFACE TREATMENT		
DRAWN BY S. SINGH	DATE 08-10-2020	HEAT TREATMENT		
ENGINEER xxx	CHECKED BY	SCALE xx	SHEET 2 OF 2	
DRAWING NUMBER PB345_TM1_B_60144.SLDDRW				REV xx

PROPRIETARY INFORMATION: THIS MATERIAL AND THE CONTENTS THEREOF ARE CONSIDERED THE PROPERTY OF SALAMANDER DESIGNS, AND THE DISCLOSURE TO UNAUTHORIZED INDIVIDUALS OR DISSEMINATION, PUBLICATION, OR COPYING THEREOF IS PROHIBITED WITHOUT PRIOR WRITTEN CONSENT BY SALAMANDER DESIGNS OF BLOOMFIELD, CONNECTICUT.

8 7 6 5 4 3 2 1