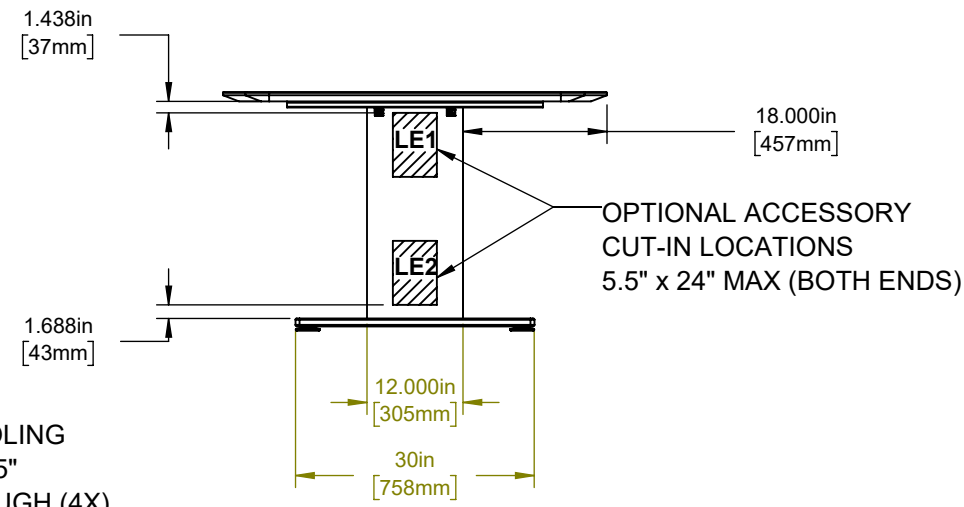
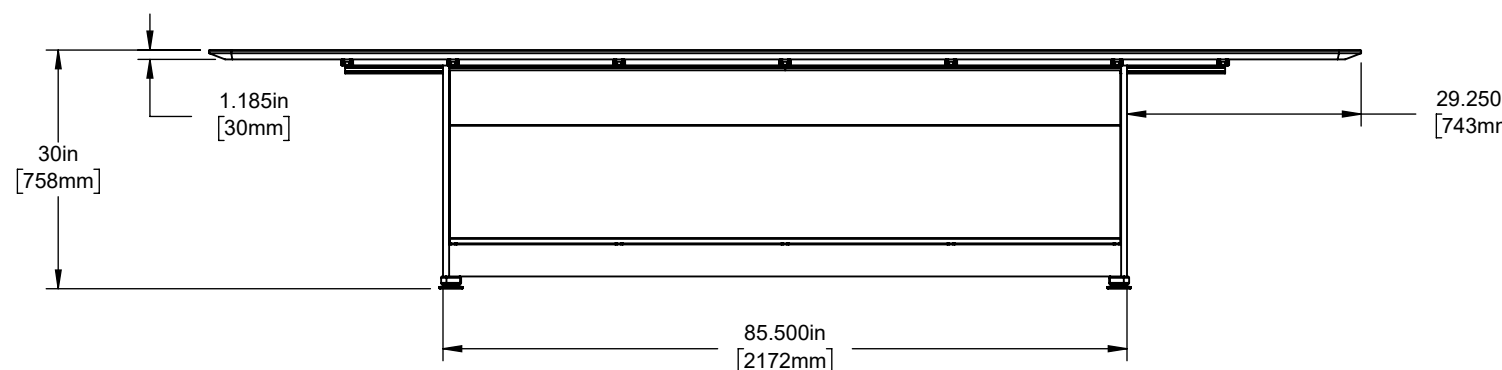
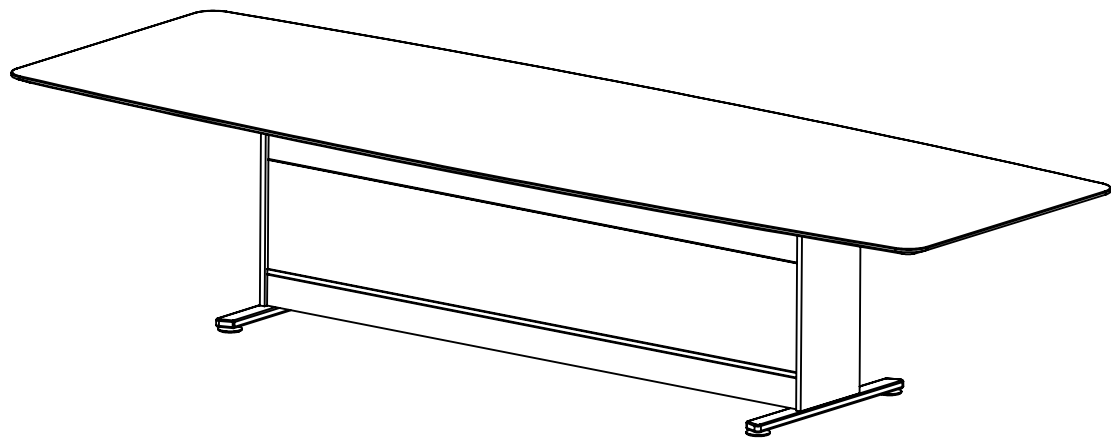
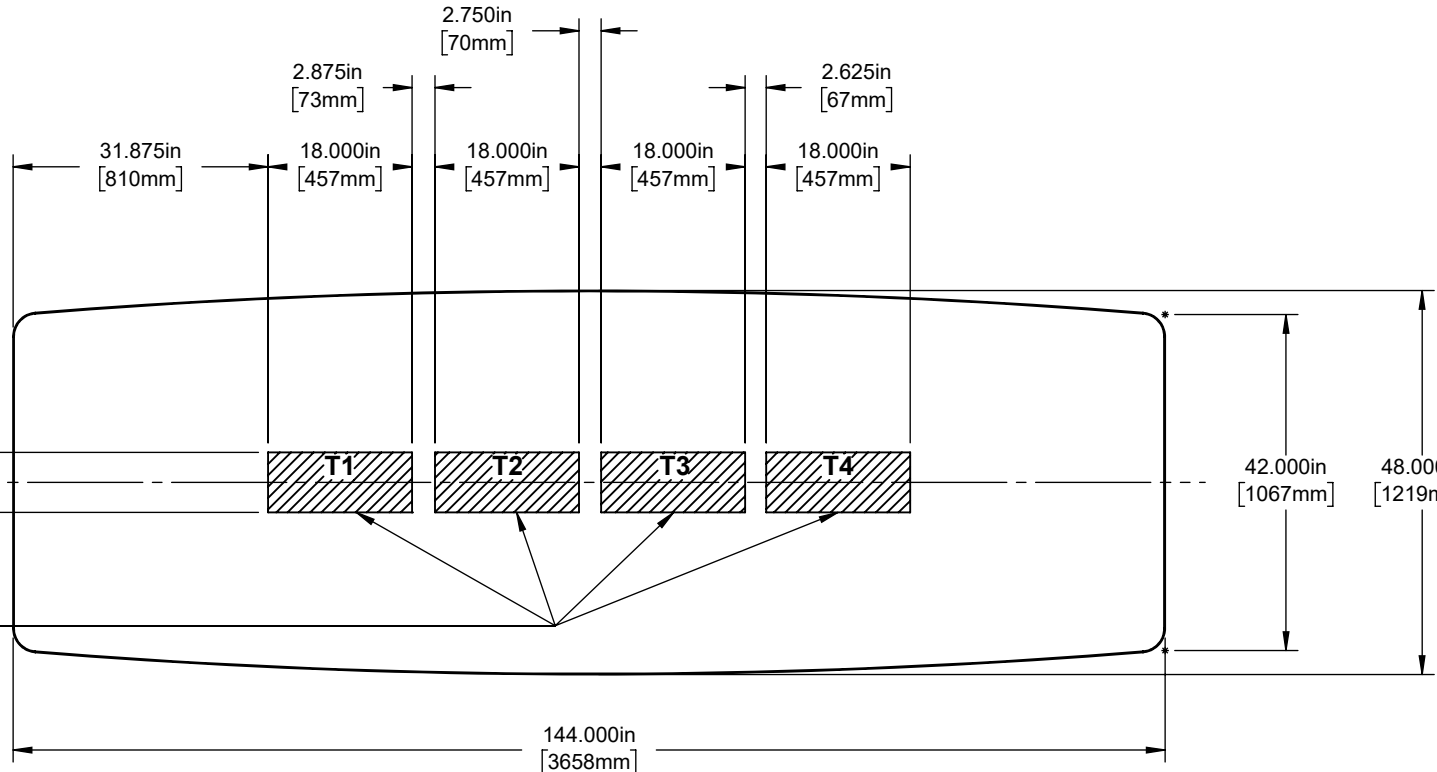
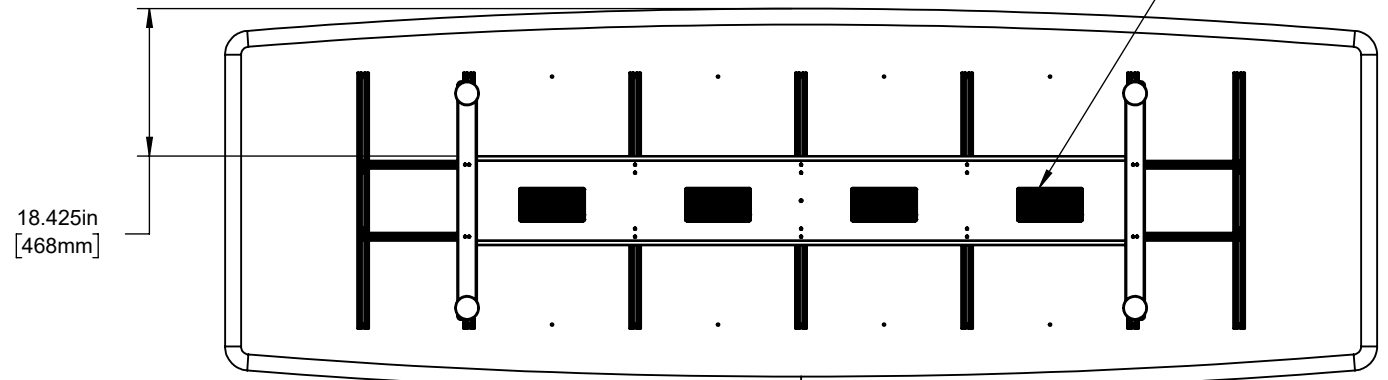


7.500in
[191mm]

MAX AREA FOR
ACCESSORY CUT-
INS/LOCATIONS (4X)



REMOVABLE COOLING
VENT / 4.25" X 8.25"
WIRE PASSTHROUGH (4X)

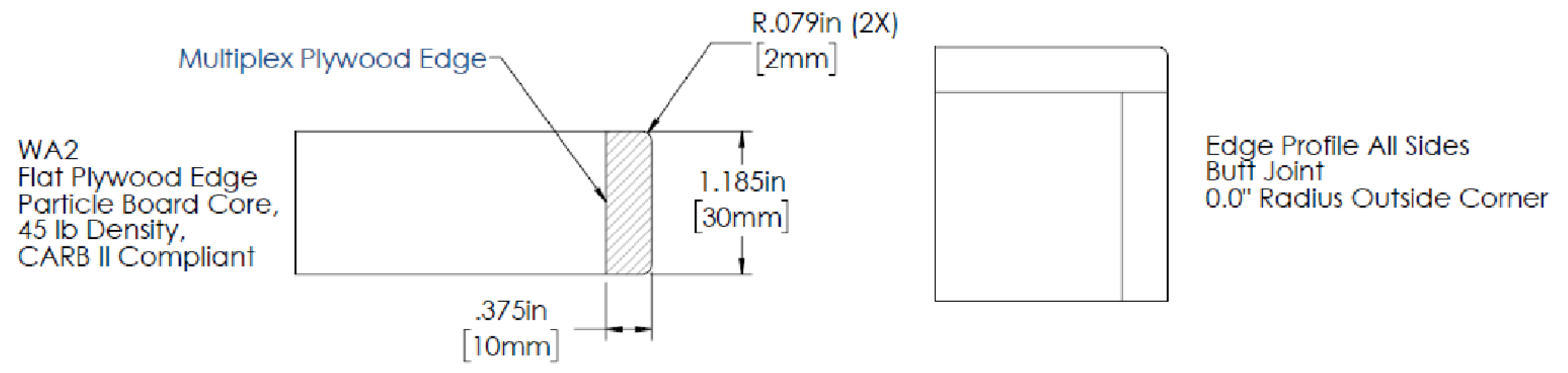
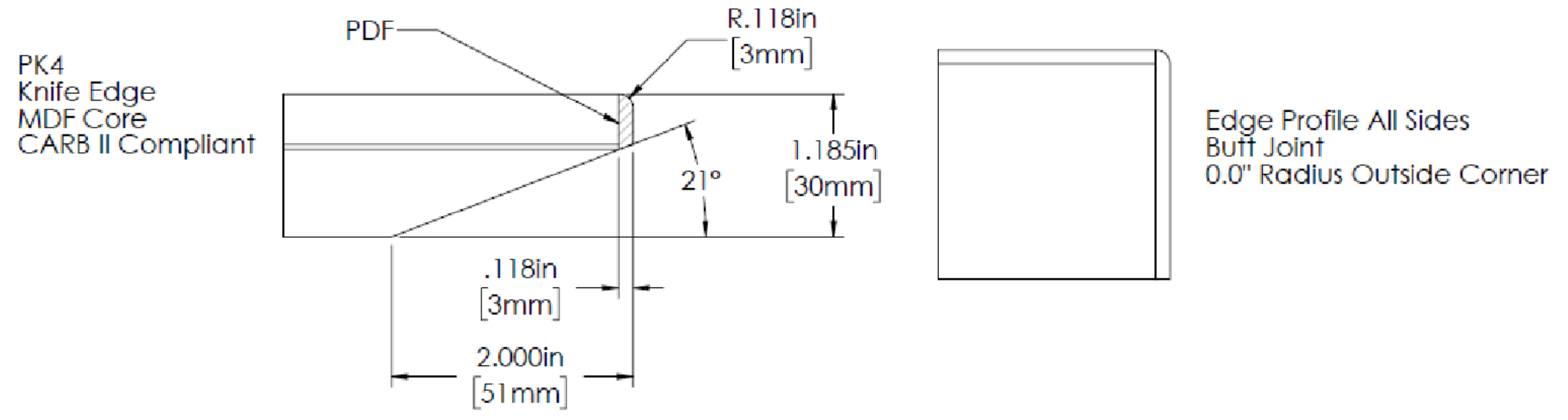



		811 BLUE HILLS AVE. BLOOMFIELD, CT 06002 T/ 860.313.0525 / F/ 860.313.0526		SIZE B
TITLE: SALAMANDER CONFERENCE TABLE QUAD BASE - 48 X 144				
MATERIAL		SURFACE TREATMENT		
DRAWN BY S. SINGH	DATE 08-10-2020	HEAT TREATMENT		
ENGINEER	CHECKED BY	SCALE	SHEET	
DRAWING NUMBER		1 OF 2		REV
PB345_TM1_B_48144.SLDDRW				

PROPRIETARY INFORMATION: THIS MATERIAL AND THE CONTENTS THEREOF ARE CONSIDERED THE PROPERTY OF SALAMANDER DESIGNS, AND THE DISCLOSURE TO UNAUTHORIZED INDIVIDUALS OR DISSEMINATION, PUBLICATION, OR COPYING THEREOF IS PROHIBITED WITHOUT PRIOR WRITTEN CONSENT BY SALAMANDER DESIGNS OF BLOOMFIELD, CONNECTICUT.

8 7 6 5 4 3 2 1

D
C
B
A



		811 BLUE HILLS AVE. BLOOMFIELD, CT 06002 T/ 860.313.0525 / F/ 860.313.0526		SIZE B
TITLE: SALAMANDER CONFERENCE TABLE QUAD BASE - 48 X 144				
MATERIAL		SEE NOTE		SURFACE TREATMENT
DRAWN BY	S. SINGH	DATE	08-10-2020	HEAT TREATMENT
ENGINEER	xxx	CHECKED BY		SCALE
DRAWING NUMBER		PB345_TM1_B_48144.SLDDRW		SHEET
				2 OF 2
REV				xx

PROPRIETARY INFORMATION: THIS MATERIAL AND THE CONTENTS THEREOF ARE CONSIDERED THE PROPERTY OF SALAMANDER DESIGNS, AND THE DISCLOSURE TO UNAUTHORIZED INDIVIDUALS OR DISSEMINATION, PUBLICATION, OR COPYING THEREOF IS PROHIBITED WITHOUT PRIOR WRITTEN CONSENT BY SALAMANDER DESIGNS OF BLOOMFIELD, CONNECTICUT.

8 7 6 5 4 3 2 1