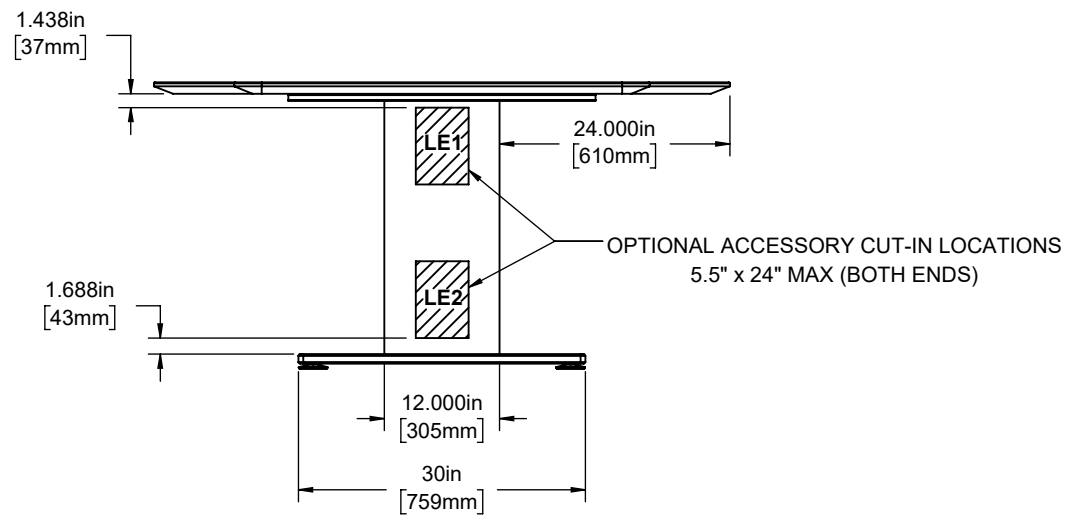
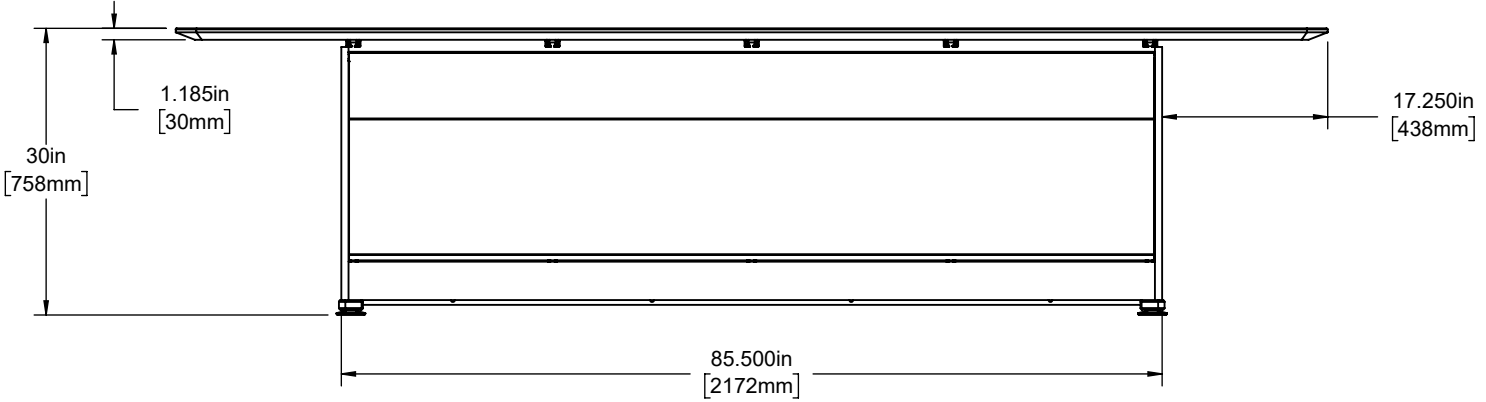
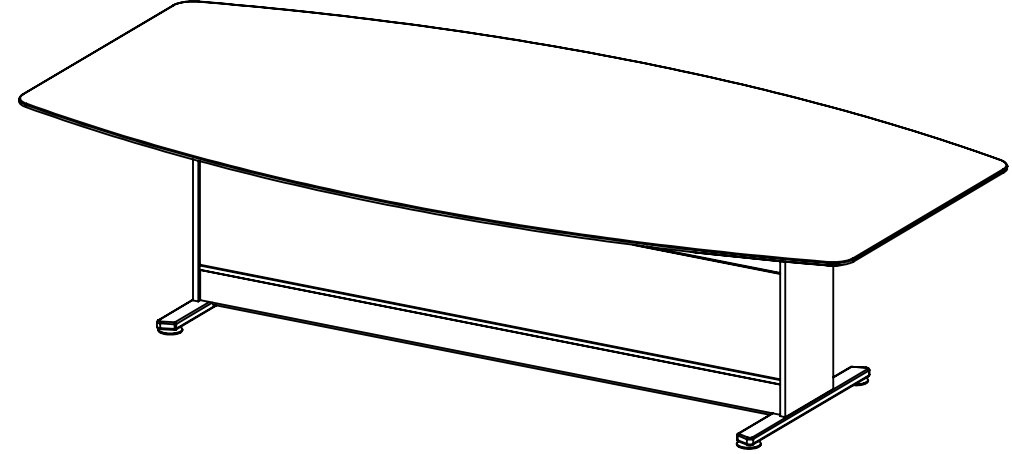
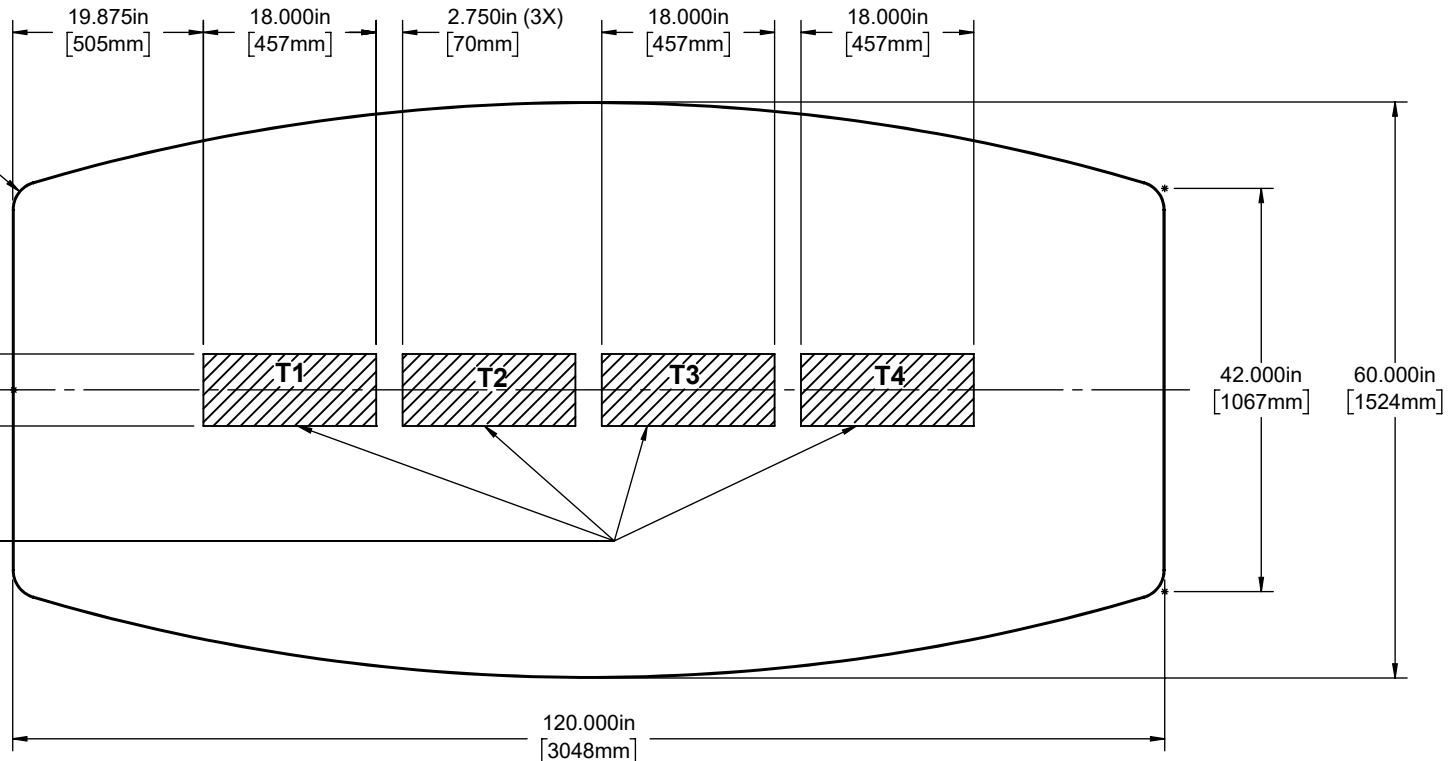
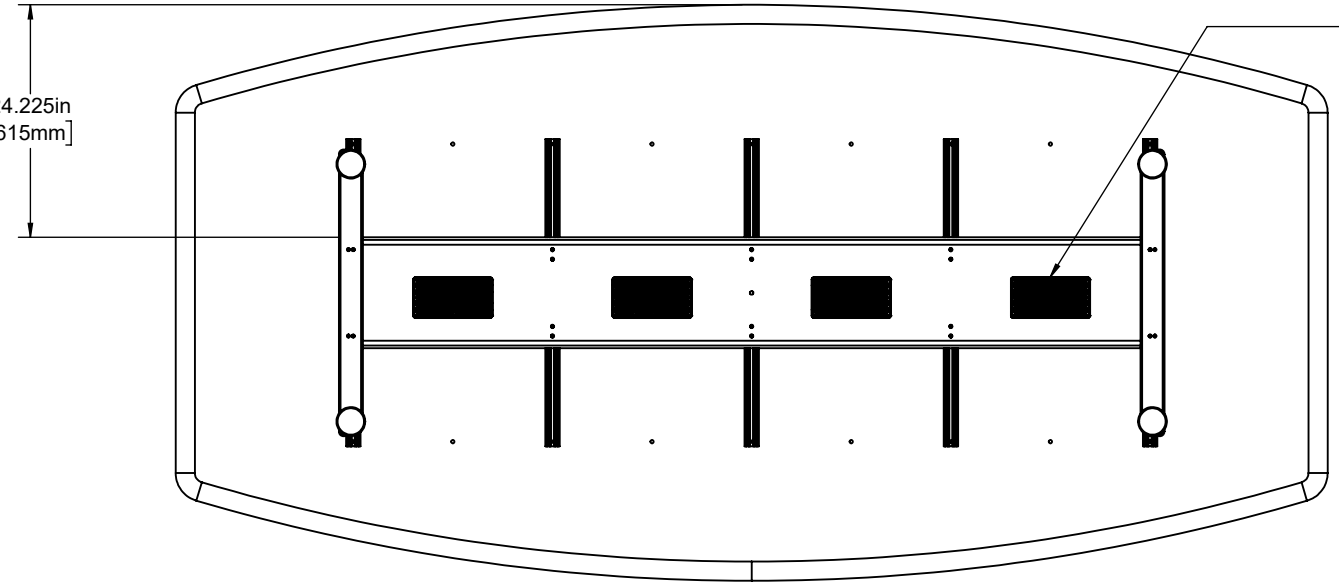


R3.000in
[76mm]
TYP.



REMOVABLE COOLING VENT /
4.25" x 8.25" WIRE PASSTHROUGH (4x)



		811 BLUE HILLS AVE. BLOOMFIELD, CT 06002 T/ 860.313.0525 / F/ 860.313.0526		SIZE B
TITLE: SALAMANDER CONFERENCE TABLE QUAD BASE - 60 X 120 - BOAT				
MATERIAL		SURFACE TREATMENT		
DRAWN BY G.KESSLER	DATE 8-4-20	HEAT TREATMENT		
ENGINEER	CHECKED BY	SCALE	SHEET	
DRAWING NUMBER				1 OF 1 REV
PB340_TM_B_60120.SLDDRW				

PROPRIETARY INFORMATION: THIS MATERIAL AND THE CONTENTS THEREOF ARE CONSIDERED THE PROPERTY OF SALAMANDER DESIGNS, AND THE DISCLOSURE TO UNAUTHORIZED INDIVIDUALS OR DISSEMINATION, PUBLICATION, OR COPYING THEREOF IS PROHIBITED WITHOUT PRIOR WRITTEN CONSENT BY SALAMANDER DESIGNS OF BLOOMFIELD, CONNECTICUT.