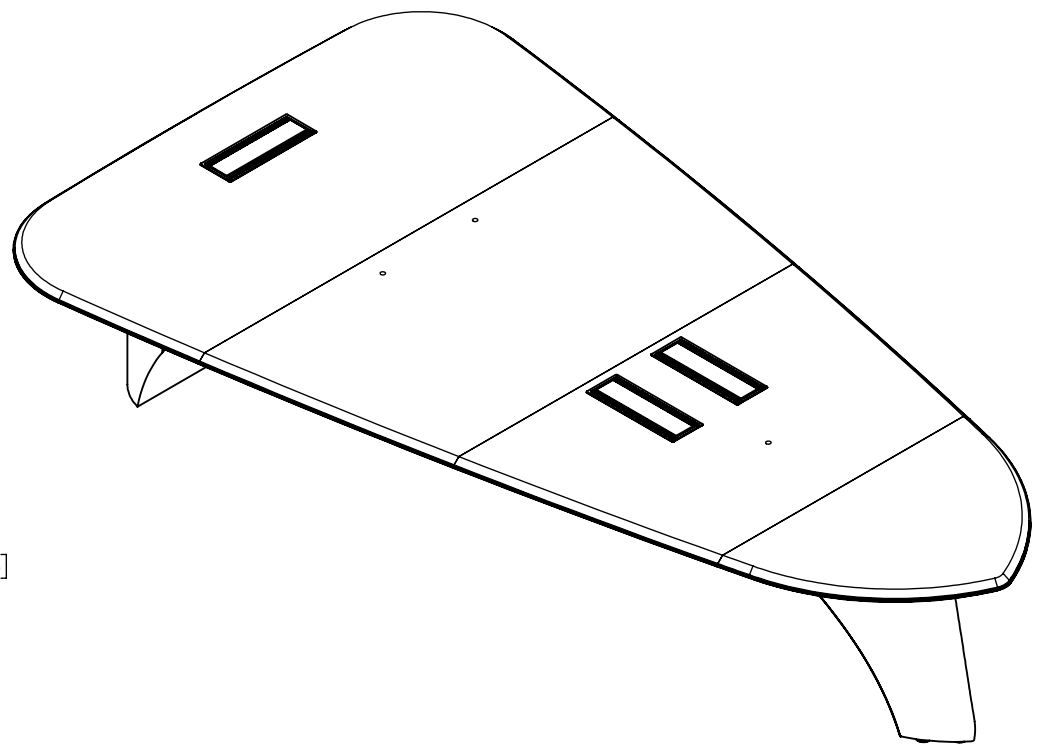
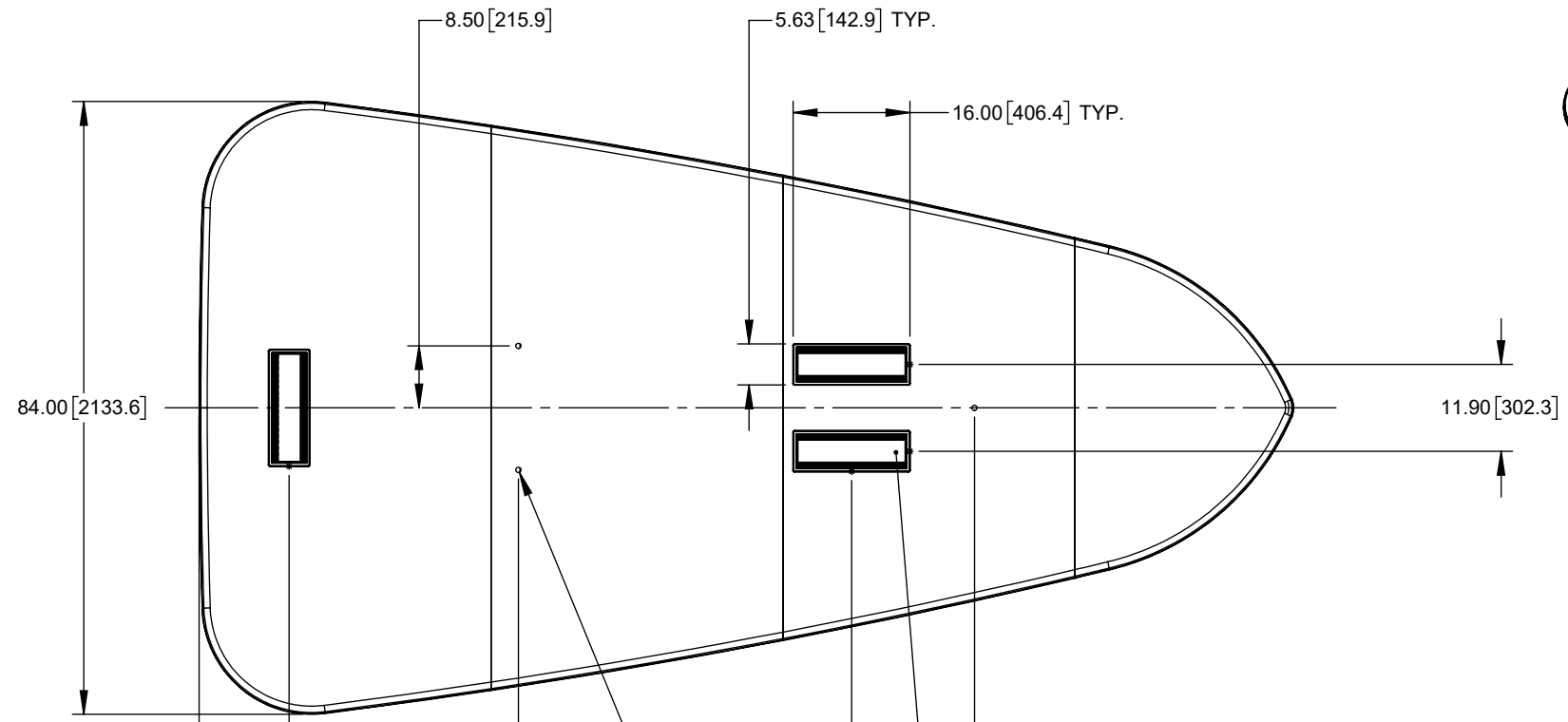
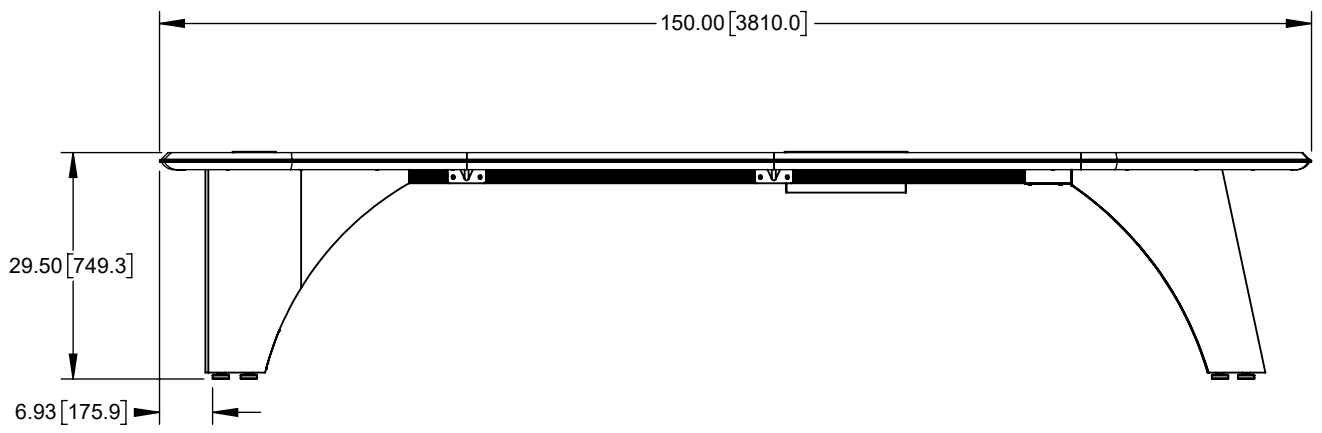


8 7 6 5 4 3 2 1

D
C
B
A



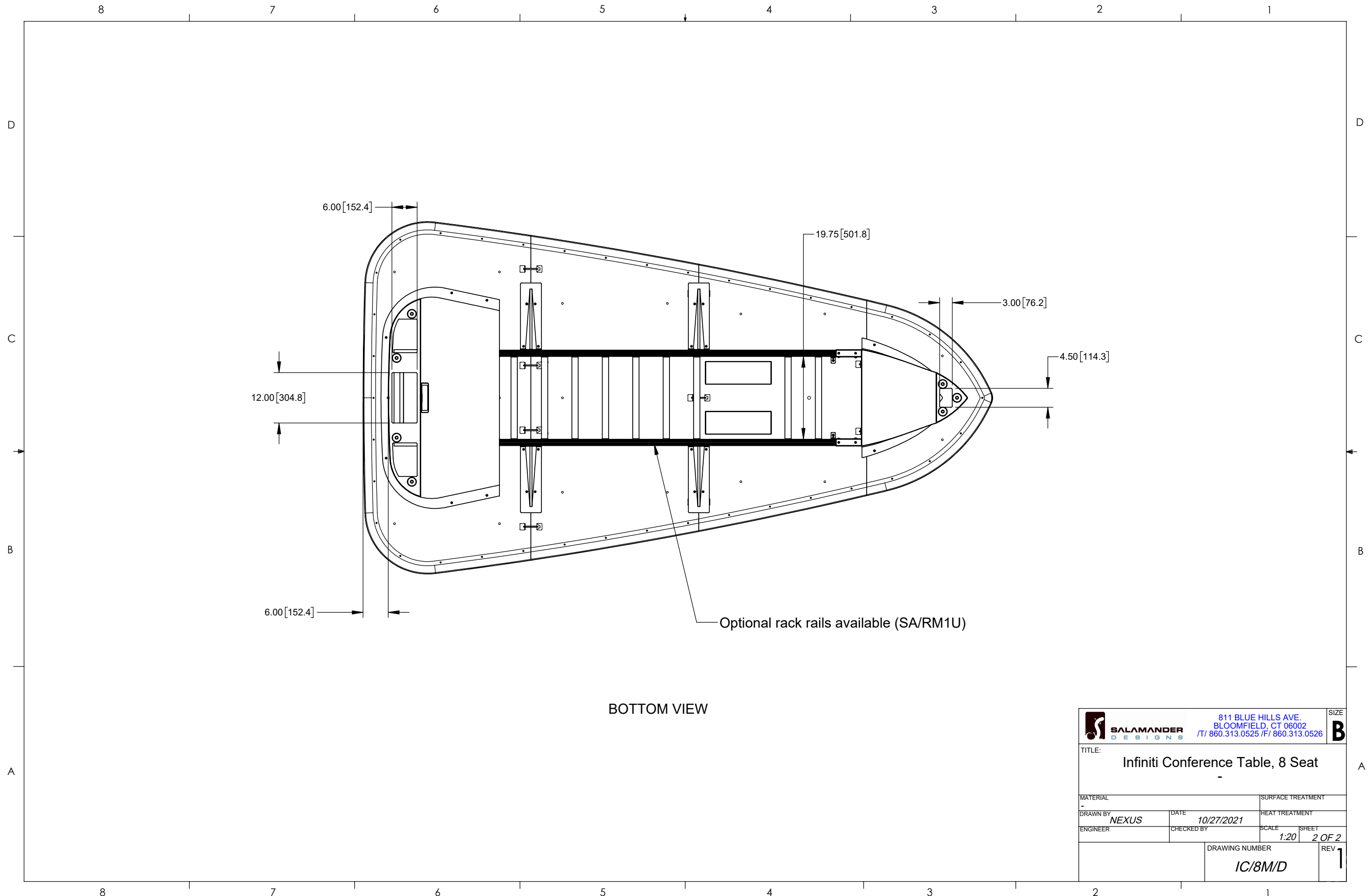
Ø.71 [18.0] THRU Microphone Holes
 - Dual Lane mic locations shown (3x)
 - Single Lane mic locations available (2x)

Power Cable Cubbies (Optional)
 Salamander FI/CP10 shown

UNLESS OTHERWISE SPECIFIED:	
- ALL THREADS TO BE CLASS 2	
- COUNTERSINK ALL TAPPED HOLES	
- DEBURR HOLES AND BREAK SHARP EDGES	
- STAMP, ETCH, OR MARK DRAWING NUMBER AND REVISION LETTER ON A NON-CRITICAL SURFACE.	
- SURFACE FINISH TO BE 63 RMS	
- TOLERANCES:	
X	± .1
XX	± .03
XXX	± .015
XXXX	± .0005
X*	± 1°
X*	± .5°
3rd ANGLE PROJECTION	
QTY	NEXT ASSEMBLY
APPLICATION	
<small>PROPRIETARY INFORMATION: THIS MATERIAL AND THE CONTENTS THEREOF ARE CONSIDERED THE PROPERTY OF SALAMANDER DESIGNS, AND THE DISCLOSURE TO UNAUTHORIZED INDIVIDUALS OR DISSEMINATION, PUBLICATION, OR COPYING THEREOF IS PROHIBITED WITHOUT PRIOR WRITTEN CONSENT BY SALAMANDER DESIGNS OF BLOOMFIELD, CONNECTICUT.</small>	

		811 BLUE HILLS AVE. BLOOMFIELD, CT 06002 T/ 860.313.0525 /F/ 860.313.0526		SIZE B
TITLE: <h3>Infiniti Conference Table, 8 Seat</h3>				
MATERIAL		SURFACE TREATMENT		
DRAWN BY NEXUS		DATE 10/27/2021		HEAT TREATMENT
ENGINEER		CHECKED BY		SCALE 1:25
DRAWING NUMBER IC/8M/D			SHEET 1 OF 2	
			REV 1	

8 7 6 5 4 3 2 1



6.00 [152.4]

12.00 [304.8]

6.00 [152.4]


19.75 [501.8]

3.00 [76.2]

4.50 [114.3]

Optional rack rails available (SA/RM1U)

BOTTOM VIEW

		811 BLUE HILLS AVE. BLOOMFIELD, CT 06002 T/ 860.313.0525 / F/ 860.313.0526		SIZE B
TITLE: Infiniti Conference Table, 8 Seat				
MATERIAL		SURFACE TREATMENT		
DRAWN BY <i>NEXUS</i>		DATE 10/27/2021	HEAT TREATMENT	
ENGINEER	CHECKED BY	SCALE 1:20	SHEET 2 OF 2	
DRAWING NUMBER IC/8M/D			REV 1	