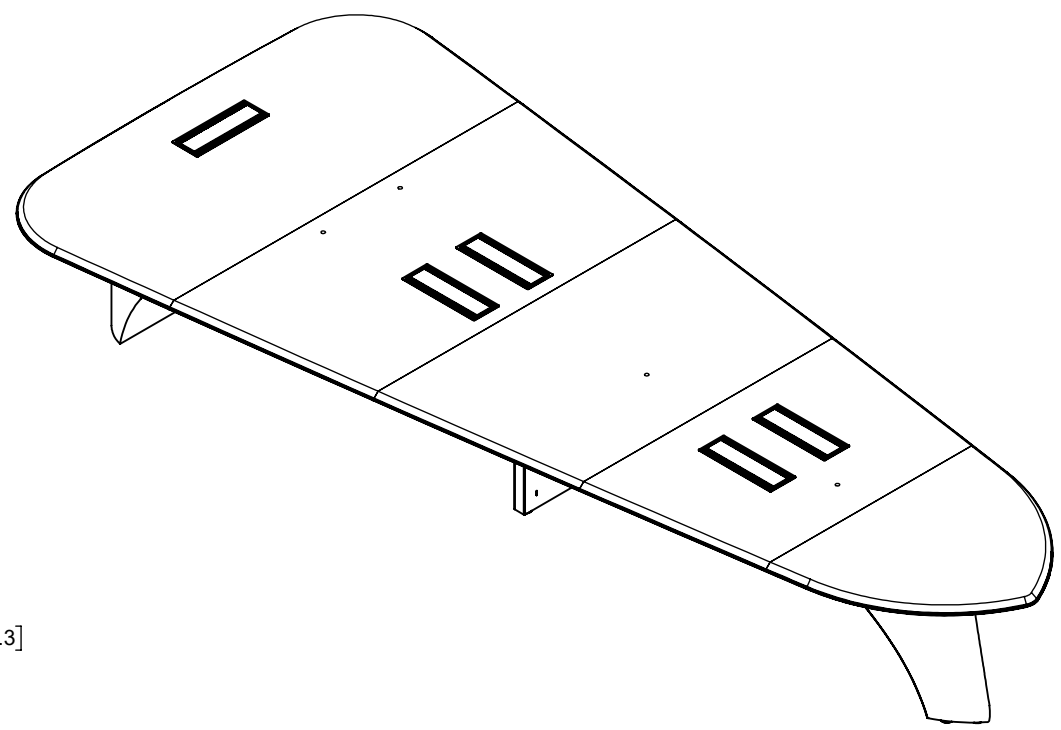
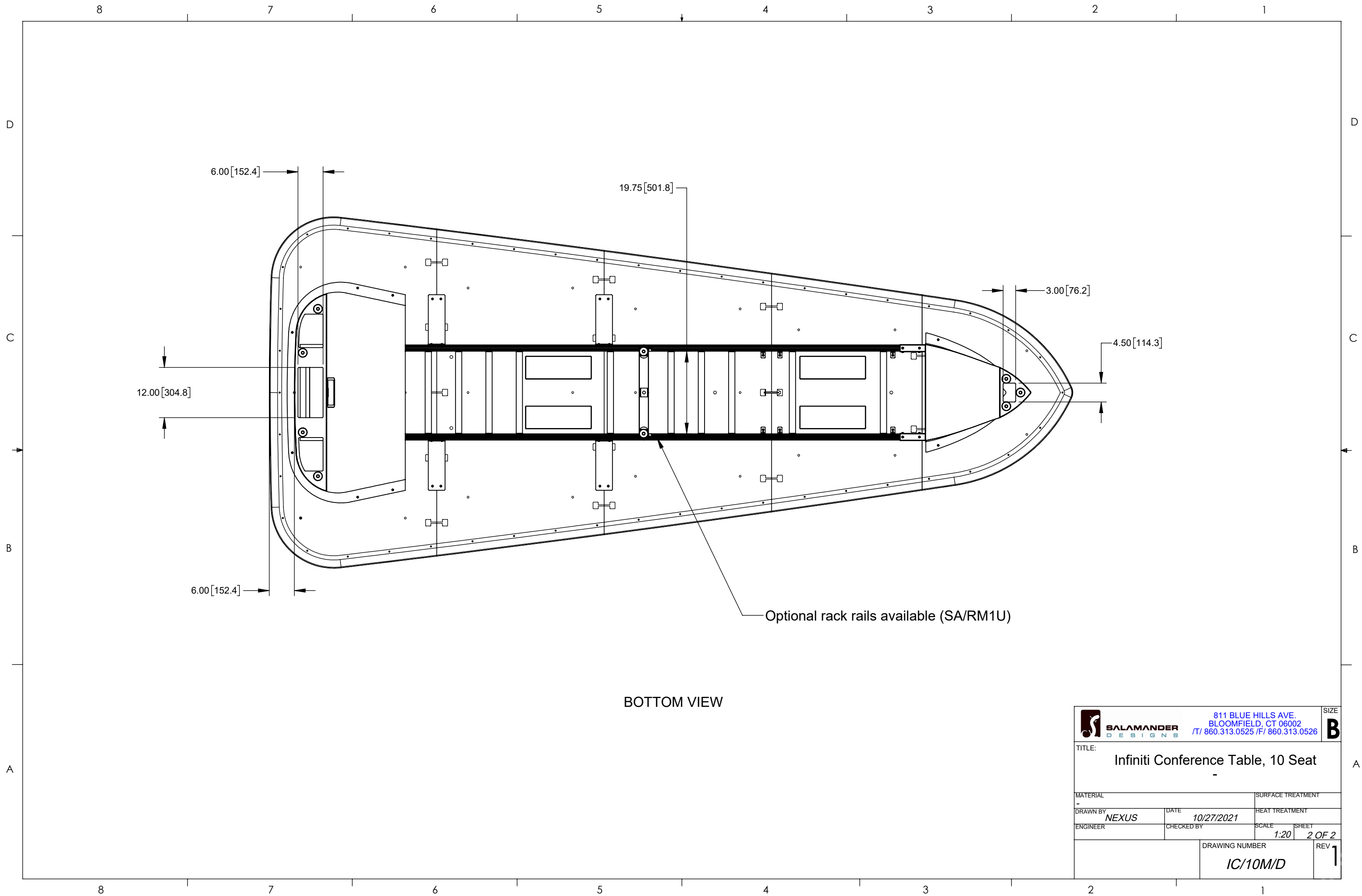



Power Cable Cubbies (Optional)
Salamander FI/CP10 shown

Ø .71 [18.0] THRU Microphone Holes
- Dual Lane mic locations shown (4x)
- Single Lane mic locations available (3x)



		UNLESS OTHERWISE SPECIFIED:		811 BLUE HILLS AVE. BLOOMFIELD, CT 06002 T/ 860.313.0525 / F/ 860.313.0526		SIZE B
		- ALL THREADS TO BE CLASS 2 - COUNTERSINK ALL TAPPED HOLES - DEBURR HOLES AND BREAK SHARP EDGES - STAMP, ETCH, OR MARK DRAWING NUMBER AND REVISION LETTER ON A NON-CRITICAL SURFACE. - SURFACE FINISH TO BE 63 RMS		TITLE: Infiniti Conference Table, 10 Seat		
		- TOLERANCES: X ± .1 .XX ± .03 .XXX ± .015 .XXXX ± .0005 X* ± 1° X* ± 1.5°		MATERIAL: - SURFACE TREATMENT: - DRAWN BY: NEXUS DATE: 10/27/2021 HEAT TREATMENT: - ENGINEER: - CHECKED BY: - SCALE: 1:30 SHEET: 1 OF 2		
QTY	NEXT ASSEMBLY	3rd ANGLE PROJECTION		DRAWING NUMBER IC/10M/D		REV 1
APPLICATION		PROPRIETARY INFORMATION: THIS MATERIAL AND THE CONTENTS THEREOF ARE CONSIDERED THE PROPERTY OF SALAMANDER DESIGNS, AND THE DISCLOSURE TO UNAUTHORIZED INDIVIDUALS OR DISSEMINATION, PUBLICATION, OR COPYING THEREOF IS PROHIBITED WITHOUT PRIOR WRITTEN CONSENT BY SALAMANDER DESIGNS OF BLOOMFIELD, CONNECTICUT.				



		811 BLUE HILLS AVE. BLOOMFIELD, CT 06002 T/ 860.313.0525 / F/ 860.313.0526		SIZE B
TITLE: Infiniti Conference Table, 10 Seat				
MATERIAL		SURFACE TREATMENT		
DRAWN BY <i>NEXUS</i>		DATE 10/27/2021	HEAT TREATMENT	
ENGINEER	CHECKED BY	SCALE 1:20	SHEET 2 OF 2	
DRAWING NUMBER IC/10M/D			REV 1	