



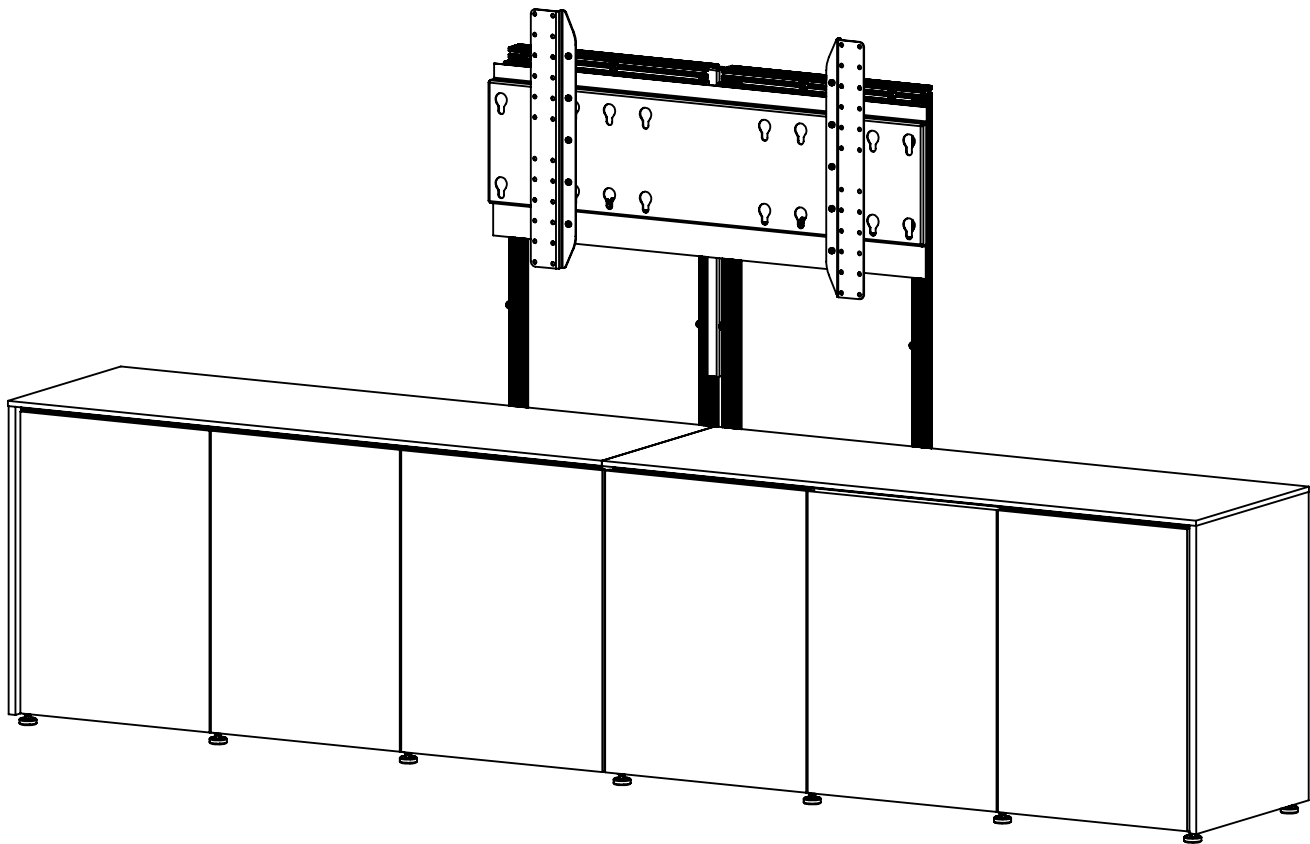
# X-LARGE SINGLE DISPLAY MOUNT

(FOR 6 & 8 BAY, MATED CABINETS)

## Vesa Patterns

Horizontal: 400, 500, 600, 700, 800, 900, 1000, 1100, 1200

Vertical: 100, 200, 300, 400, 500, 600

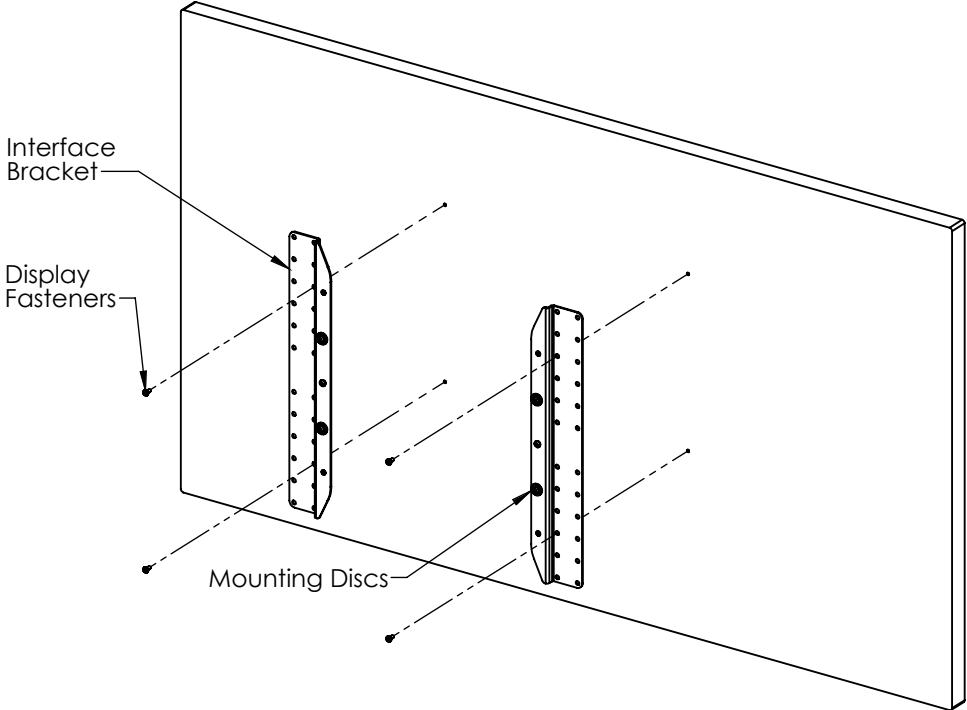


**X-LARGE SINGLE DISPLAY MOUNT HEIGHT/WEIGHT CAPACITY**

|                          |      | 56" - Low | 63" - H1  | 69" - H2  | 74" - H3  | 79" - H4  | Wall Secured |
|--------------------------|------|-----------|-----------|-----------|-----------|-----------|--------------|
| Center of Vesa Range (A) |      | 45" - 51" | 52" - 58" | 57" - 63" | 63" - 69" | 68" - 74" | All          |
| 6-Bay                    | M1XL | 400lbs    | 400lbs    | 350lbs    | 350lbs    | 350lbs    | 400lbs       |
| 8-Bay                    | M1XL | 400lbs    | 400lbs    | 400lbs    | 400lbs    | 400lbs    | 400lbs       |

# 1. Install Display Interface Brackets

Fasten the display interface brackets using fasteners (length and size recommended by the display manufacturer).

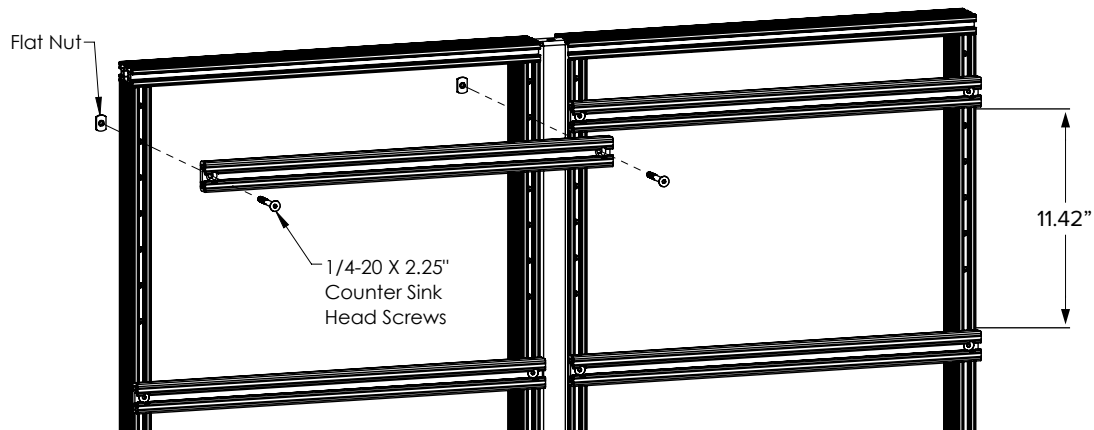




**TIP:** It's best to review Step 2 and 3 before getting started. Width and height adjustments do share some positioning considerations for the horizontal extrusions as well as tightening of mounts in position after Height and Horizontal positioning is complete.

## 2. Adjust Screen Height

To lower the display, remove the 1/4-20 X 2.25" Counter Sink Head Screws and flat nuts from the Horizontal Extrusions and replace the top Horizontal Extrusion at the desired height.

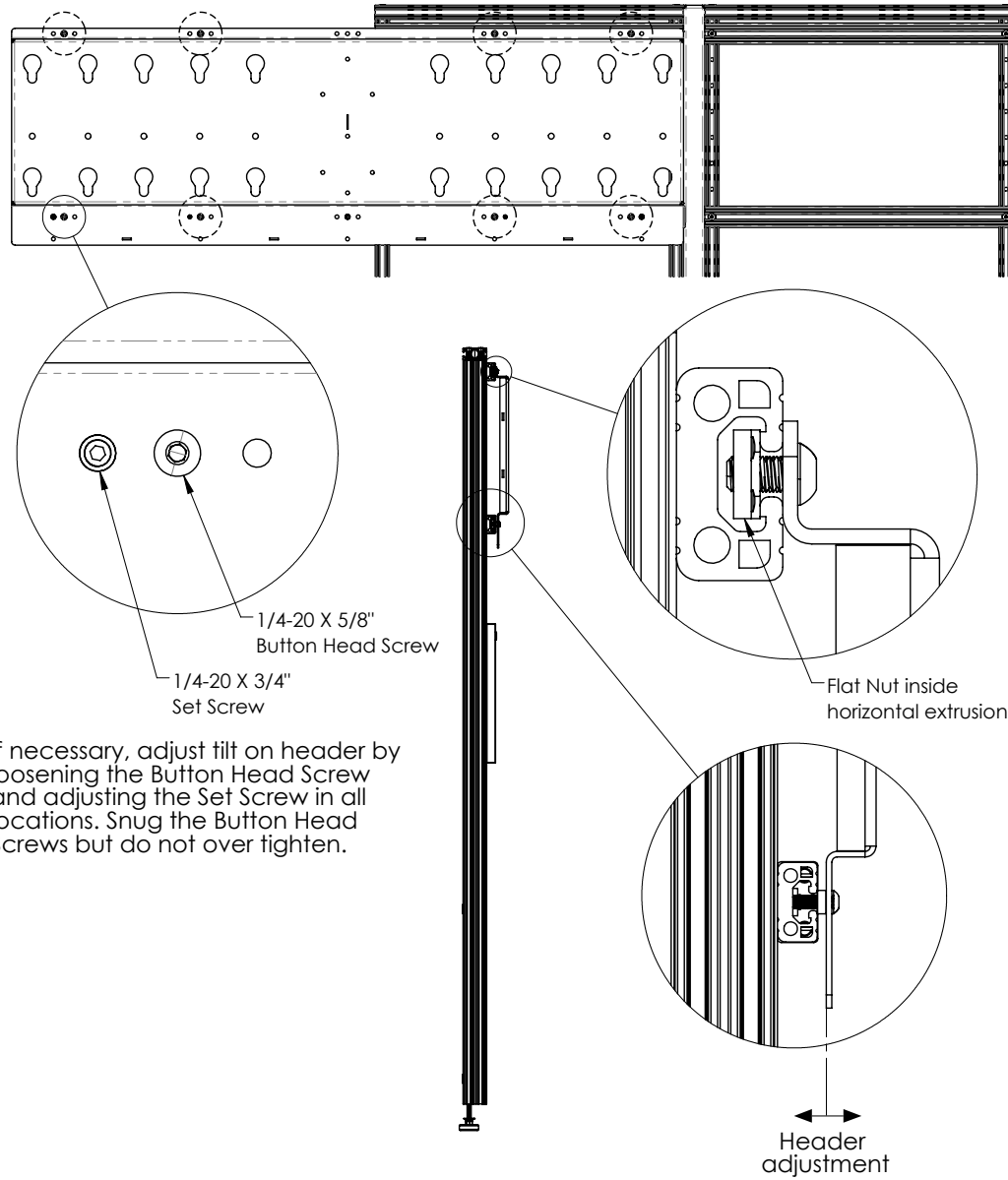


With the top Horizontal Extrusion in place, with a pencil mark the vertical extrusions 11.42" from the bottom of the top horizontal extrusions.

Repeat on the remaining three posts. Align the top surface of the bottom Horizontal Extrusion with the marks on the Vertical posts and reattach.

### 3. Install Header

After following directions to mate the cabinet, if height adjustment is not necessary, loosen (Do Not Remove) the eight screws and four set screws circled in dashed lines below and slide the Display Header to the center of the mount and level the Header if necessary. Retighten the screws and set screws. The bottom four screws should be snug, not overtightened after adjusting tilt as indicated below.



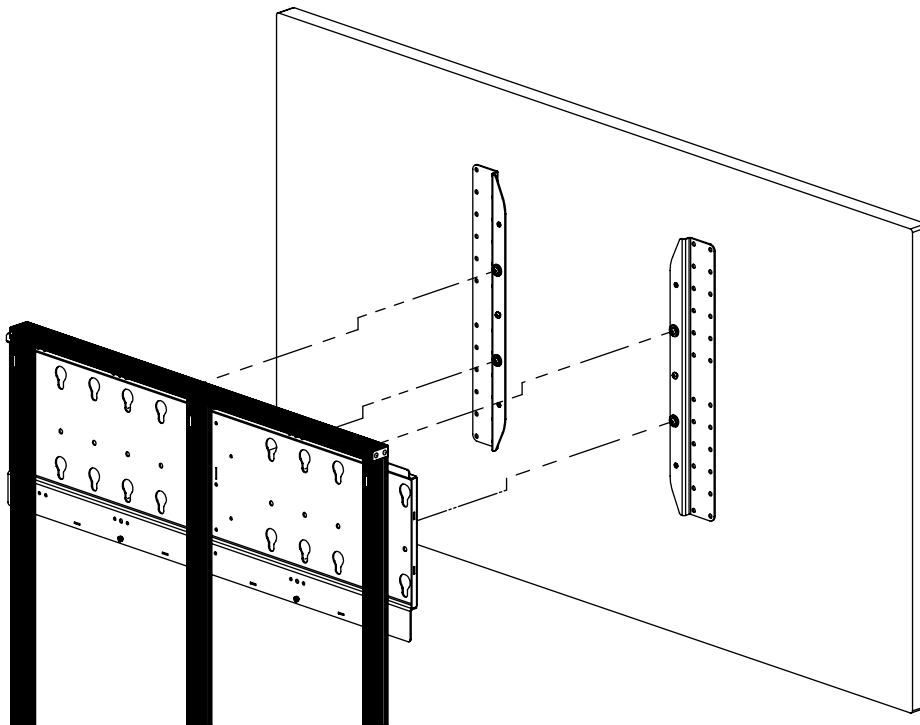
If necessary, adjust tilt on header by loosening the Button Head Screw and adjusting the Set Screw in all locations. Snug the Button Head Screws but do not over tighten.

## 4. Attach Tech Shelf Or Speaker Bracket (Optional)

Refer to Tech Shelf or Speaker Bracket Accessory Instructions to install.

## 5. Mount Display On Keyhole Header

Carefully align display interface brackets onto the keyhole header.  
Be sure all mounting discs are fully engaged.



### LIMITED WARRANTY FOR COMMERCIAL PRODUCTS

Salamander is proud to stand behind our products with industry-leading warranties. Should you ever encounter any problem with your Salamander product, let us know. We are here to make it right. 1.800.535.5659 - 860.761.9500

Full warranty including limitations and warranty claim information may be found at [www.salamanderdesigns.com/commercial/warranty](http://www.salamanderdesigns.com/commercial/warranty)