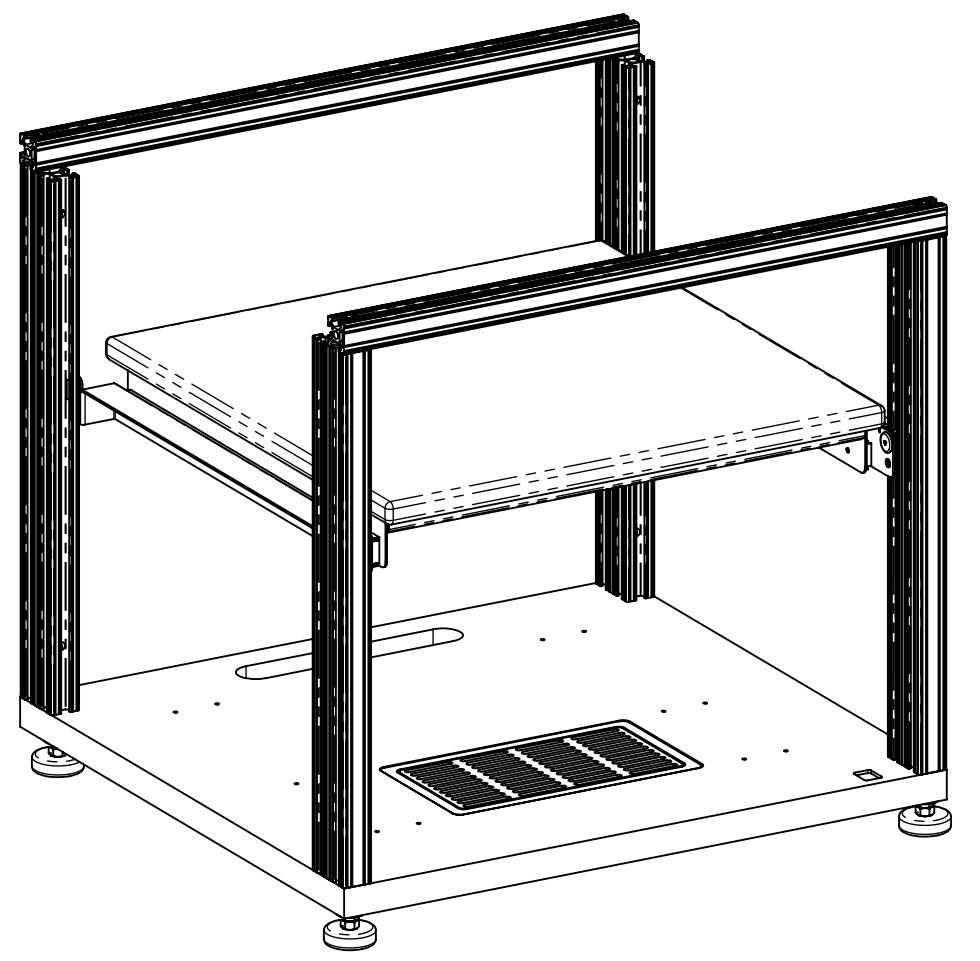
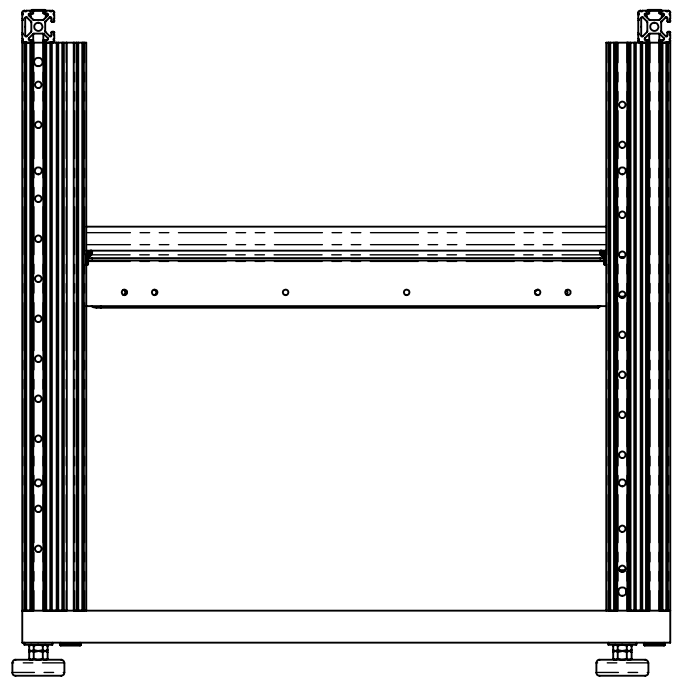
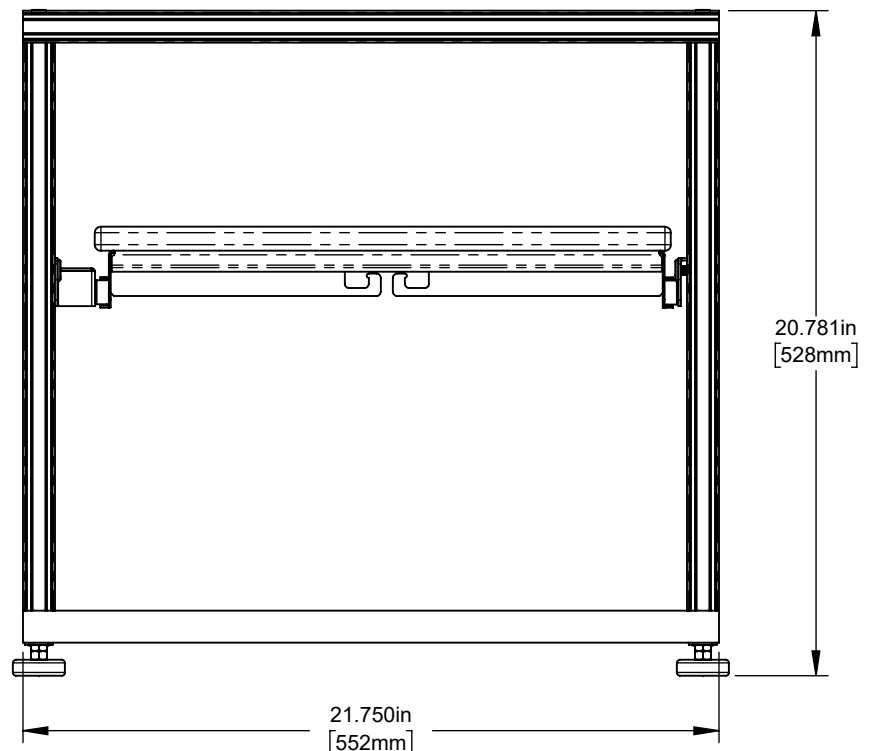
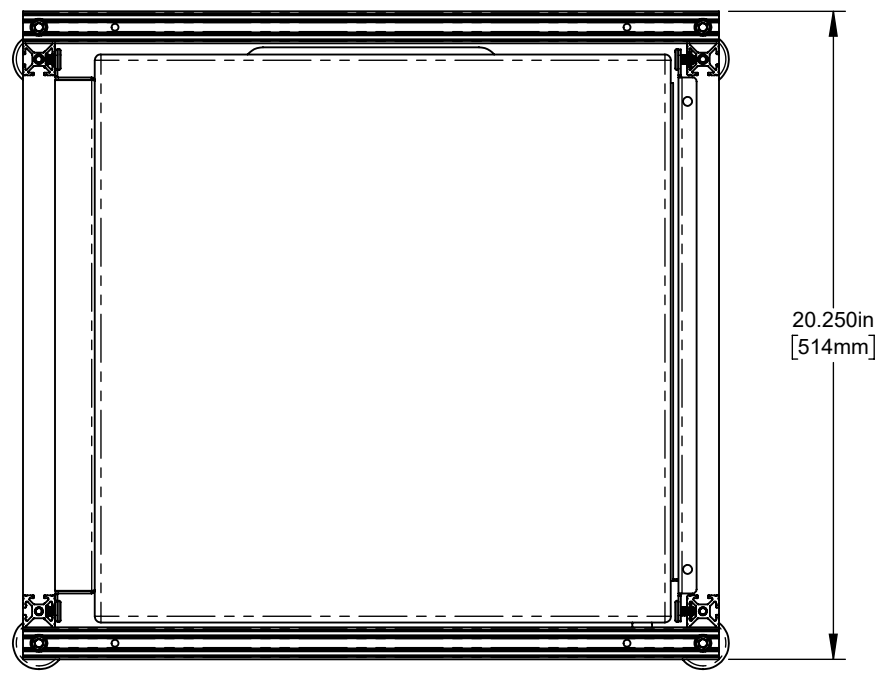


8 7 6 5 4 3 2 1

D
C
B
A



D
C
B
A

UNLESS OTHERWISE SPECIFIED:
 - ALL THREADS TO BE CLASS 2
 - COUNTERSINK ALL TAPPED HOLES
 - DEBURR HOLES AND BREAK SHARP EDGES
 - STAMP, ETCH, OR MARK DRAWING NUMBER AND REVISION LETTER ON A NON-CRITICAL SURFACE.
 - SURFACE FINISH TO BE 63 RMS
 - TOLERANCES: X ±.1
 XX ±.01
 XXX ±.005
 XXXX ±.0005
 X* ±1°
 X* ±.5°



SALAMANDER DESIGNS 811 BLUE HILLS AVE.
 BLOOMFIELD, CT 06002
 T/ 860.313.0525 /F/ 860.313.0526

TITLE: **C-FRAME INTERIOR KIT**

MATERIAL: SEE NOTE SURFACE TREATMENT

DRAWN BY: **G.KESSLER** DATE: **xxx** HEAT TREATMENT

ENGINEER: **xxx** CHECKED BY: SCALE: **xx** SHEET: **1 OF 1**

DRAWING NUMBER: **SD_FI_C20_SLK_B In Frame** REV: **xx**

QTY	NEXT ASSEMBLY
	RoHS Compliant

PROPRIETARY INFORMATION: THIS MATERIAL AND THE CONTENTS THEREOF ARE CONSIDERED THE PROPERTY OF SALAMANDER DESIGNS, AND THE DISCLOSURE TO UNAUTHORIZED INDIVIDUALS OR DISSEMINATION, PUBLICATION, OR COPYING THEREOF IS PROHIBITED WITHOUT PRIOR WRITTEN CONSENT BY SALAMANDER DESIGNS OF BLOOMFIELD, CONNECTICUT.

8 7 6 5 4 3 2 1