



Rack Cartridge Active Cooling

CR/AC Assembly Instructions

1. Install Fan

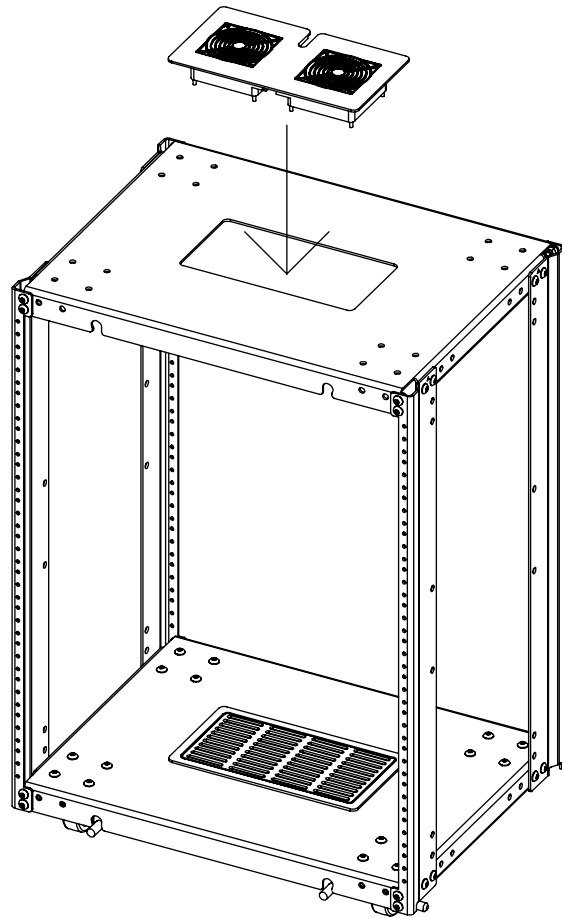
Drop the fan into the mounting hole guiding the assembly squarely into the recessed area, as shown.

Adhesive is not necessary for this installation. If desired, a light bead of silicone sealer can be used.

2. Wiring

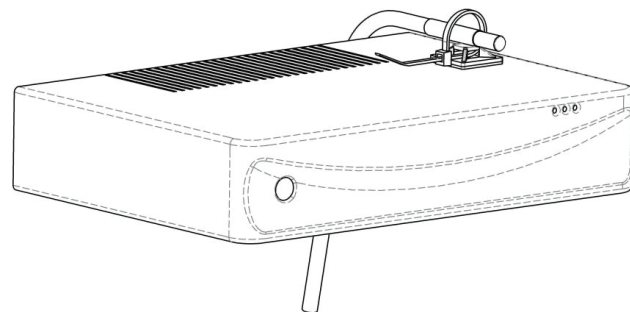
Run wiring from fan into the Rack Cartridge body.

Tip: Install Power Conditioner Units to the most top position so that it is close to the fan kit.



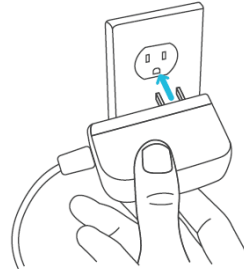
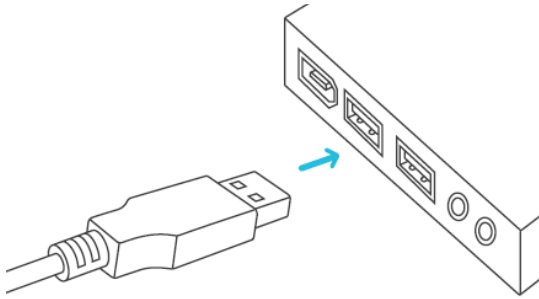
3. Attach Thermister

Use supplied wire tie to hold Thermister in place of the hottest piece of equipment, closest to the heat source. Consider your “always on” components.



4. Powering Fan Kit

Active cooling fan kit is powered by plugging the supplied AC adapter into the wall outlet as shown below or a PDU. Same AC adapter is sufficient to power the Fan Kit and the Thermister, utilizing the in-line female USB plug.



5. Using Fan Kit

Using Active Thermal Trigger:

Multi Selector Fan Switch must be set to High when Active Thermal Trigger is used.

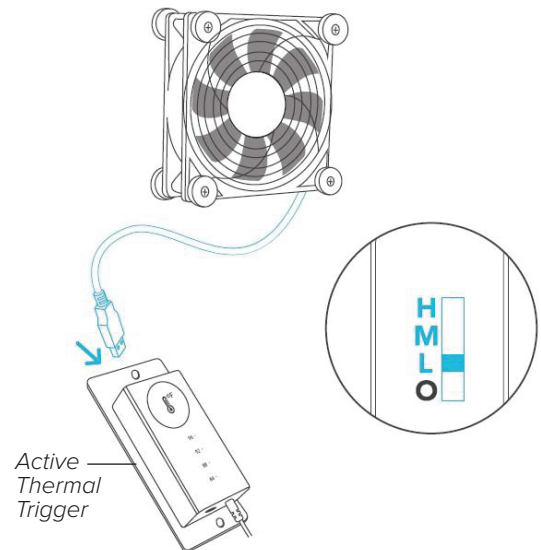
Using Fan Switch:

When not using active thermal trigger, switch selects constant “always on” fan speed.

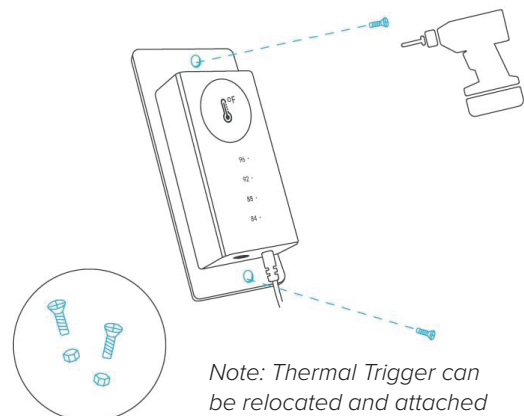
Push button to cycle through 4 temperature settings. When all 4 temperature lights are on, “always on” mode is selected.

Power Off

Pressing round button again will turn fans and Active Thermal Trigger off.



Active Thermal Trigger

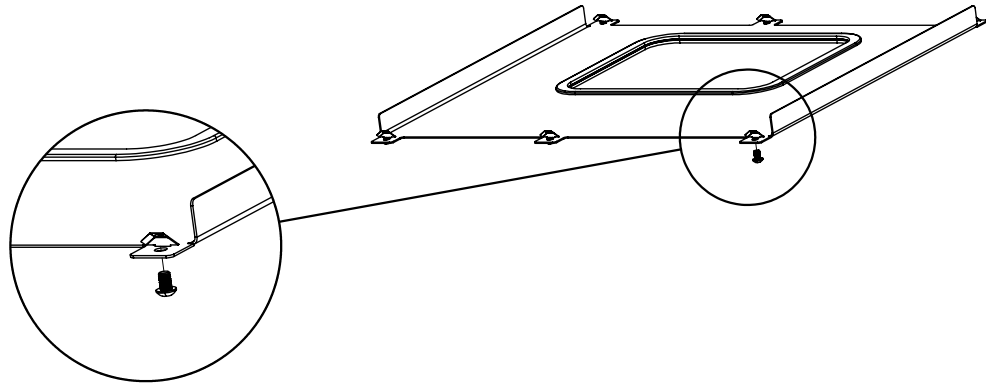


Note: Thermal Trigger can be relocated and attached to desired location using included fasteners.

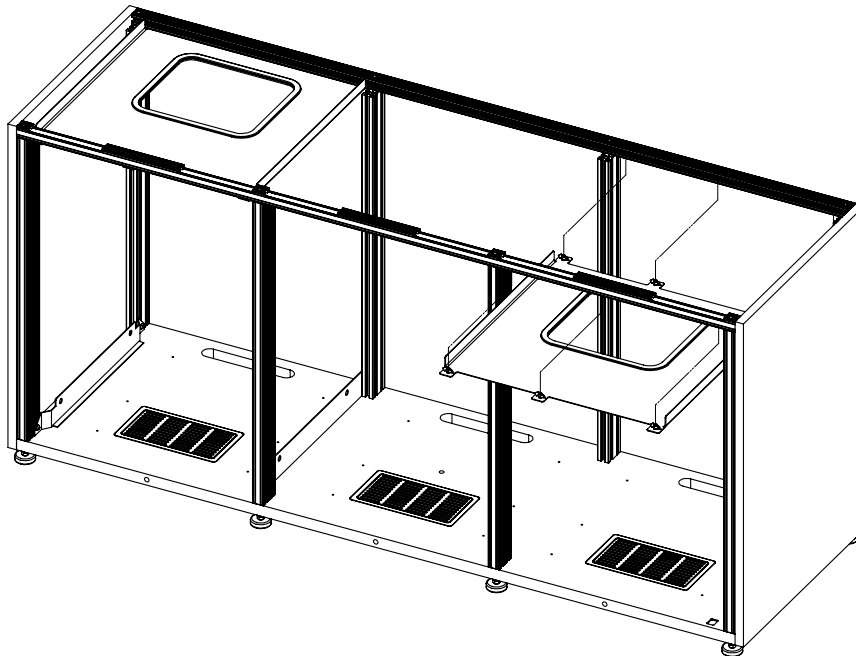
5. Adding an additional cooling plenum to Rack Cartridge Cooling System

NOTE: Cabinet top removed for clarity

- A. Insert (6) 300-518 from the bottom (flat) side of the plenum. Install (6) 300-565 to the top of the screw protruding through the plenum. Only engage the drop-in nut by 1-2 threads.



- B. Insert plenum into desired bay. Ensure when installing, the mounting tabs sit flush to the bottom surface of the extrusion. Tighten hardware.



LIMITED WARRANTY FOR COMMERCIAL VIDEO DISPLAY STANDS AND MOUNTS

Salamander is proud to stand behind our products with industry-leading warranties. Should you ever encounter any problem with your Salamander product, let us know. We are here to make it right. 1.800.535.5659 - 860.761.9500

Full warranty including limitations and warranty claim information may be found at www.salamanderdesigns.com/commercial/warranty