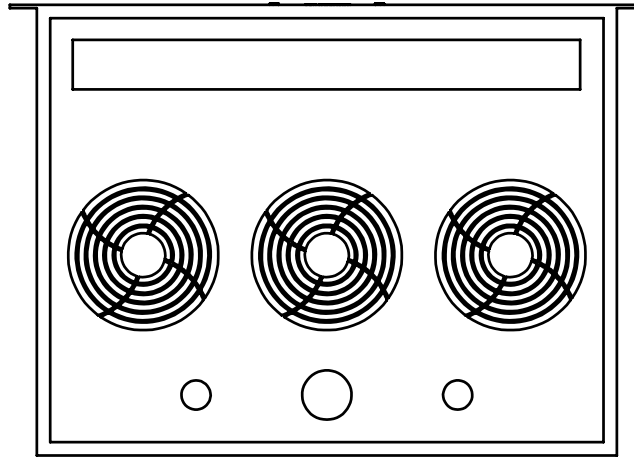




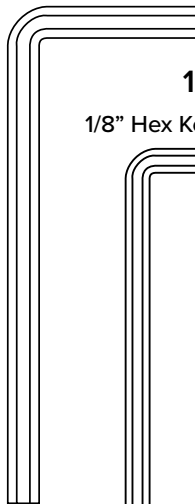
# 1 RU Vertical Cooling Kit

## ASSEMBLY INSTRUCTIONS

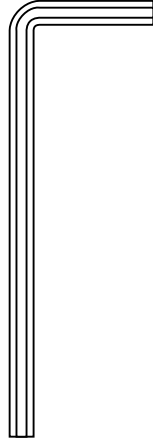


### PARTS

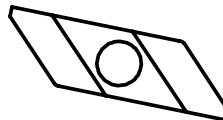
1x  
5/32" Hex Key (400-080)



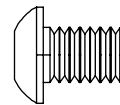
1x  
1/8" Hex Key (400-070)



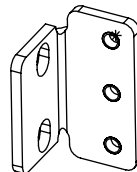
4x  
1/4-20 Drop-in Nut  
(300-565)



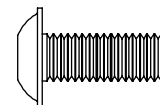
4x  
1/4-20 x 3/8 Button Head Screw  
(300-518)



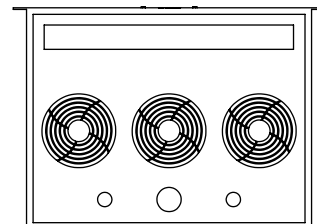
2x  
1 RU Rack Mount Bracket  
(P-301-383)



4x  
10-32 x 1/2  
Flange Button Head Cap Screw  
(302-315)



1x  
Active Cooling Fan Kit  
(400-265)



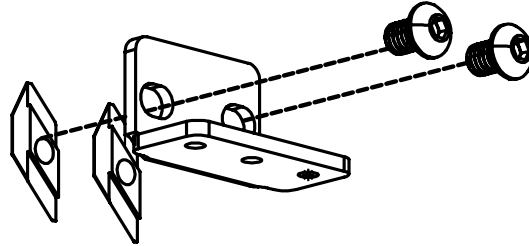
## 1. Determine Location

Typically fan kit is installed in the center of cabinet, below display.

**NOTE:** When installing in left or right bay, first install extrusion P/N: P-302-060/M on both side of the bay.

## 2. Attach Bracket

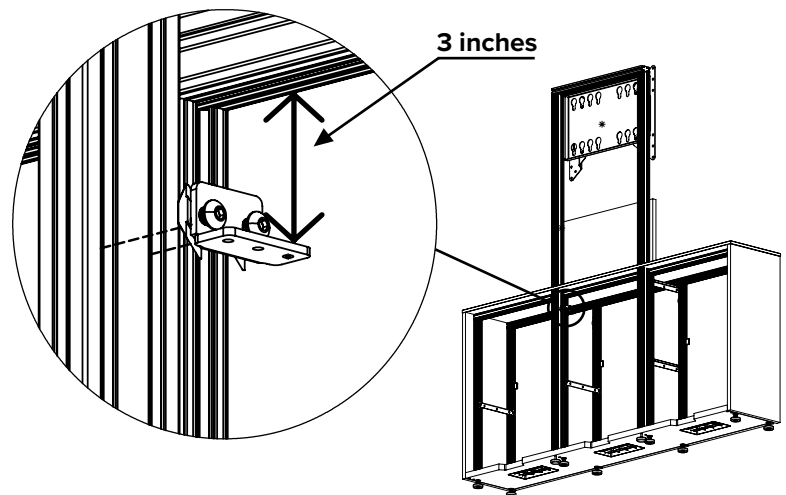
A. Assemble the 1/2" Screw (302-315) through the Rack Bracket and loosely screw to Drop-in-nut (300-565).



## 3. Secure Bracket

Before tightening the screw:

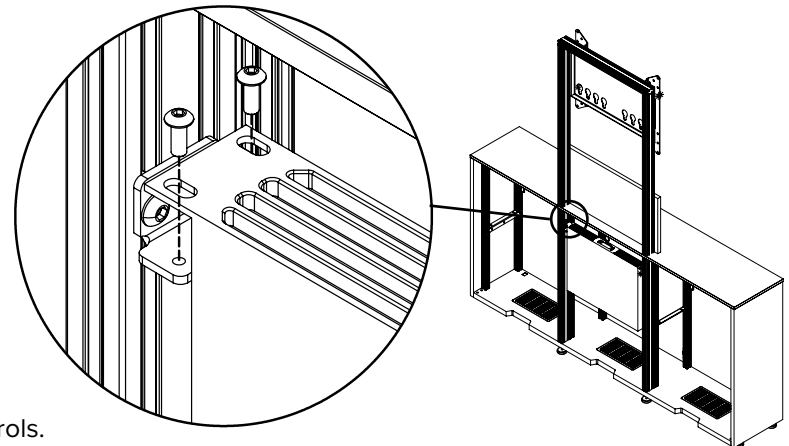
- Insert the drop-in nut into the rearmost slot on the vertical extrusion, and tighten screw loosely.
- Push 1U bracket all the way to rear.
- Ensure there are 3" of clearance between the top surface of the 1U bracket and bottom surface of the horizontal extrusion above it, as shown.



## 4. Repeat Steps 2 & 3 on the opposite side

## 5. Secure Fan

Place cooling kit on top of the 1 RU brackets installed. Secure in place with the Button Head Screws (500-485) thru the cooling kit and into the threaded holes on 1U bracket.



**NOTE:** Mirror included for visibility to the fan controls.



### LIMITED WARRANTY FOR COMMERCIAL PRODUCTS

Salamander is proud to stand behind our products with industry-leading warranties. Should you ever encounter any problem with your Salamander product, let us know. We are here to make it right. 1.800.535.5659 - 860.761.9500

Full warranty including limitations and warranty claim information may be found at [www.salamanderdesigns.com/commercial/warranty](http://www.salamanderdesigns.com/commercial/warranty)