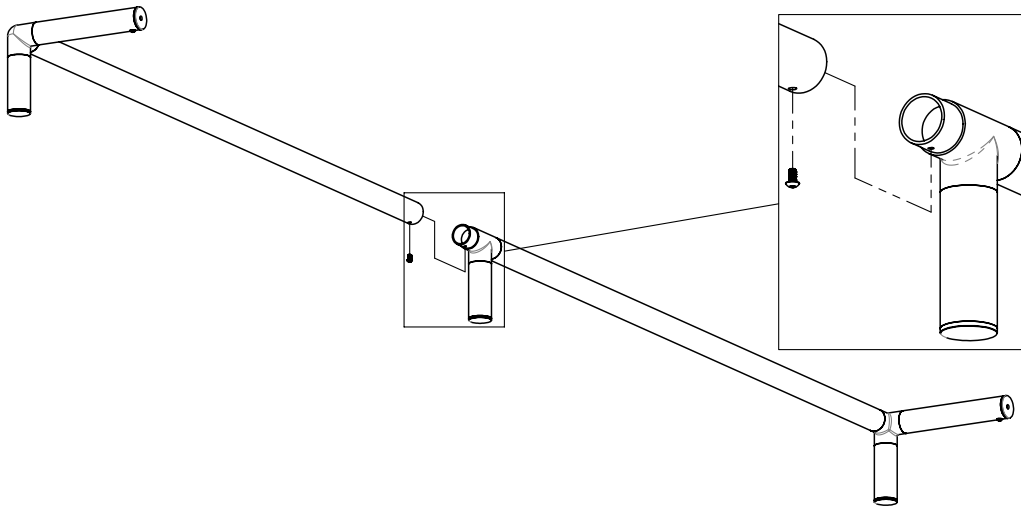




ADA Rail System One

AR1/48/SS | AR1/60/SS | AR1/72/SS

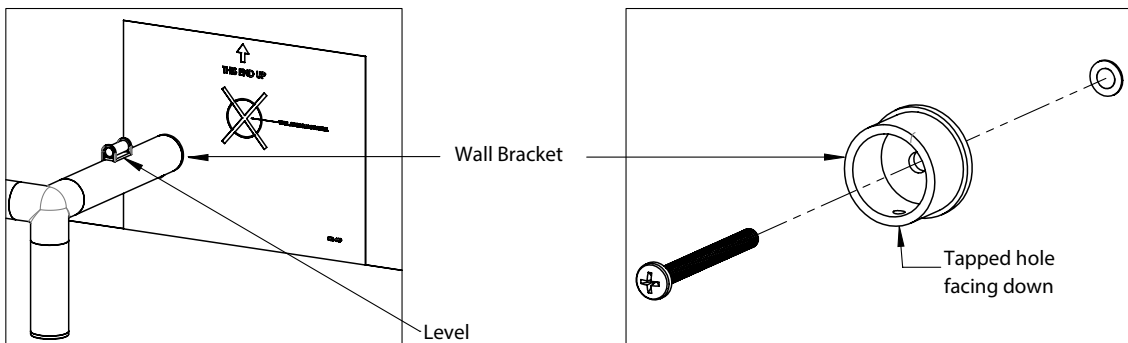
1. If your rail system is two piece, connect the two pieces using the 10/32 x 3/8" button head cap screw in the location provided as shown. If your rail system does not require assembly proceed to step 2.



2. Place the provided template on the floor and tape it to the wall.

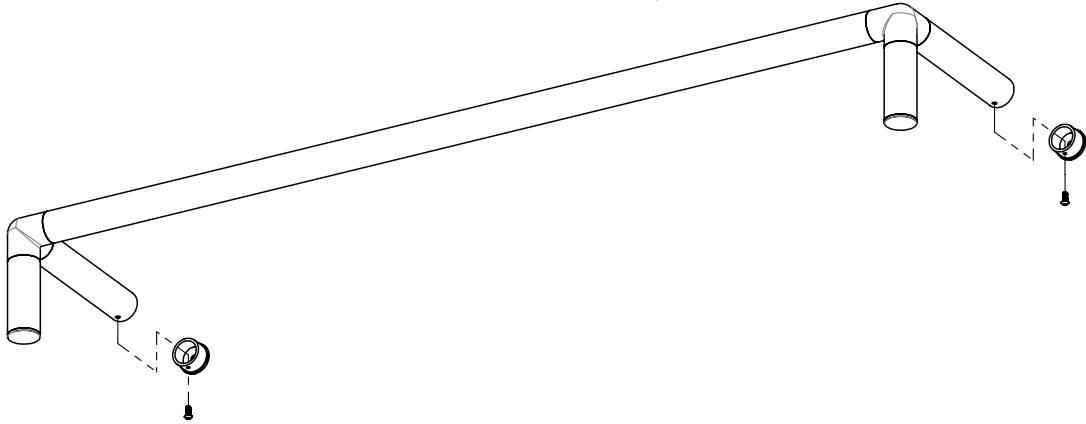
Center the Rail's Wall Bracket on the "X" and make sure the rail is level using the provided level.

Create a mark through the template and onto the wall in the location indicated. Refer to the provided snap toggler and install the first snap toggler.



3. Remove the Wall Brackets from the rail and attach to the snap toggler wall anchor with the Wall Bracket's tapped hole facing straight down, as shown. Repeat on other side.

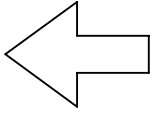
4. With the Wall Brackets now attached to the wall, insert the two rail sections into the Wall Brackets and attach the rail sections to the Wall Brackets using the hardware provided to complete the assembly.



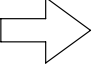
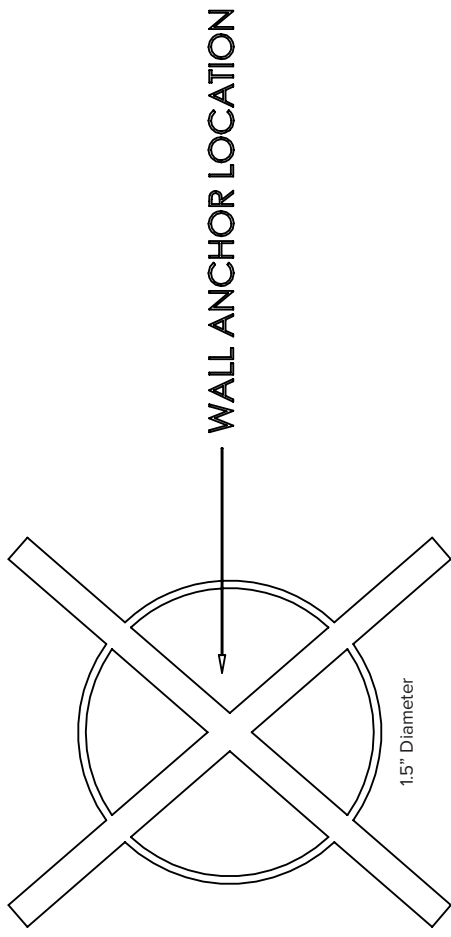
LIMITED WARRANTY FOR COMMERCIAL VIDEO DISPLAY STANDS AND MOUNTS

Salamander is proud to stand behind our products with industry-leading warranties. Should you ever encounter any problem with your Salamander product, let us know. We are here to make it right. 1.800.535.5659 - 860.761.9500

Full warranty including limitations and warranty claim information may be found at www.salamanderdesigns.com/commercial/warranty



THIS END UP



Place paper along the floor.