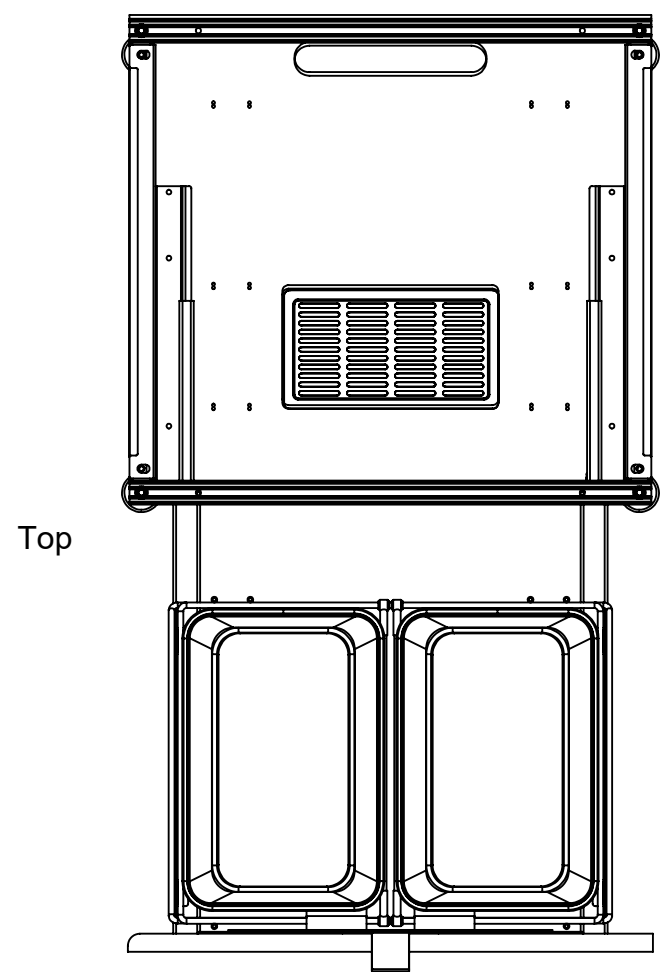
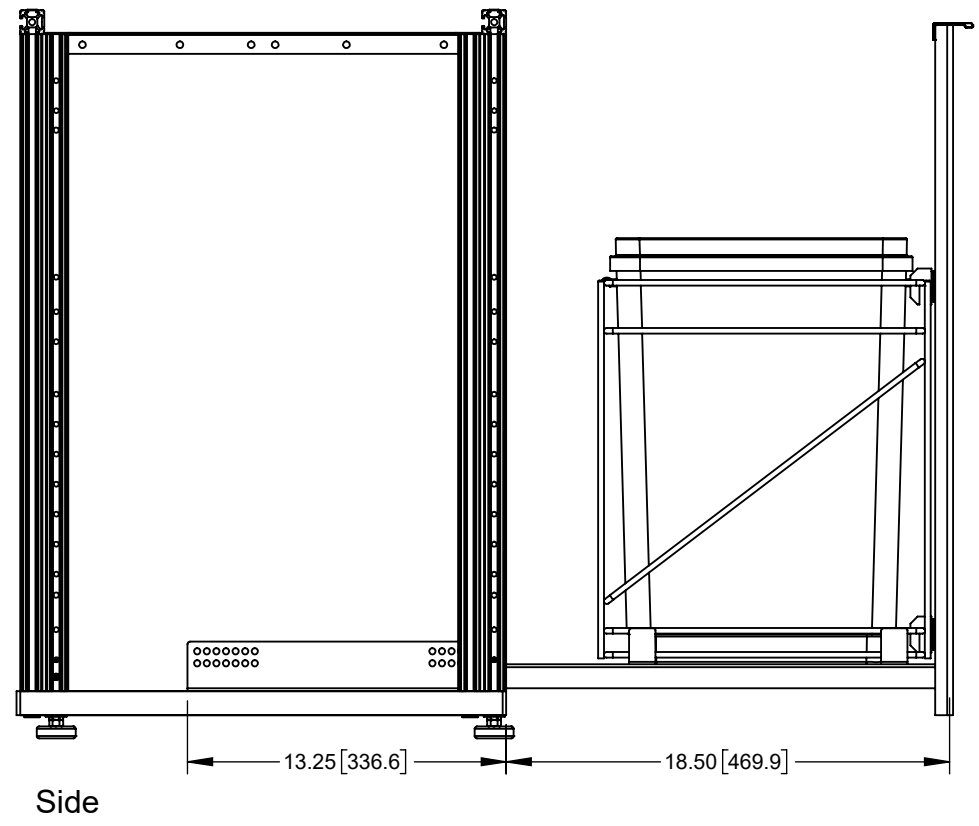
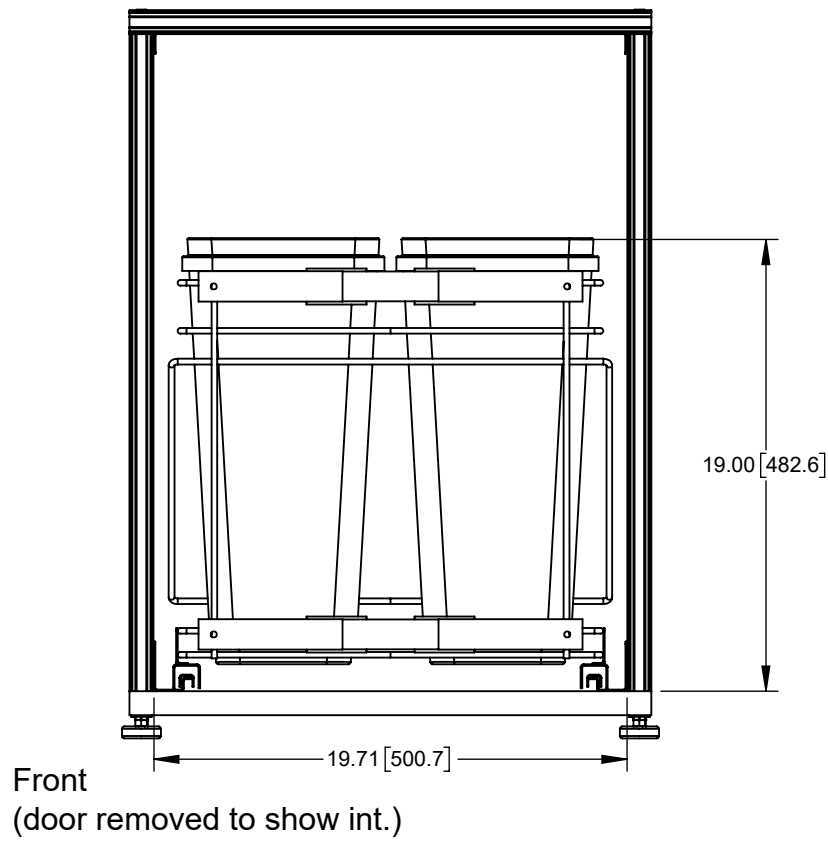
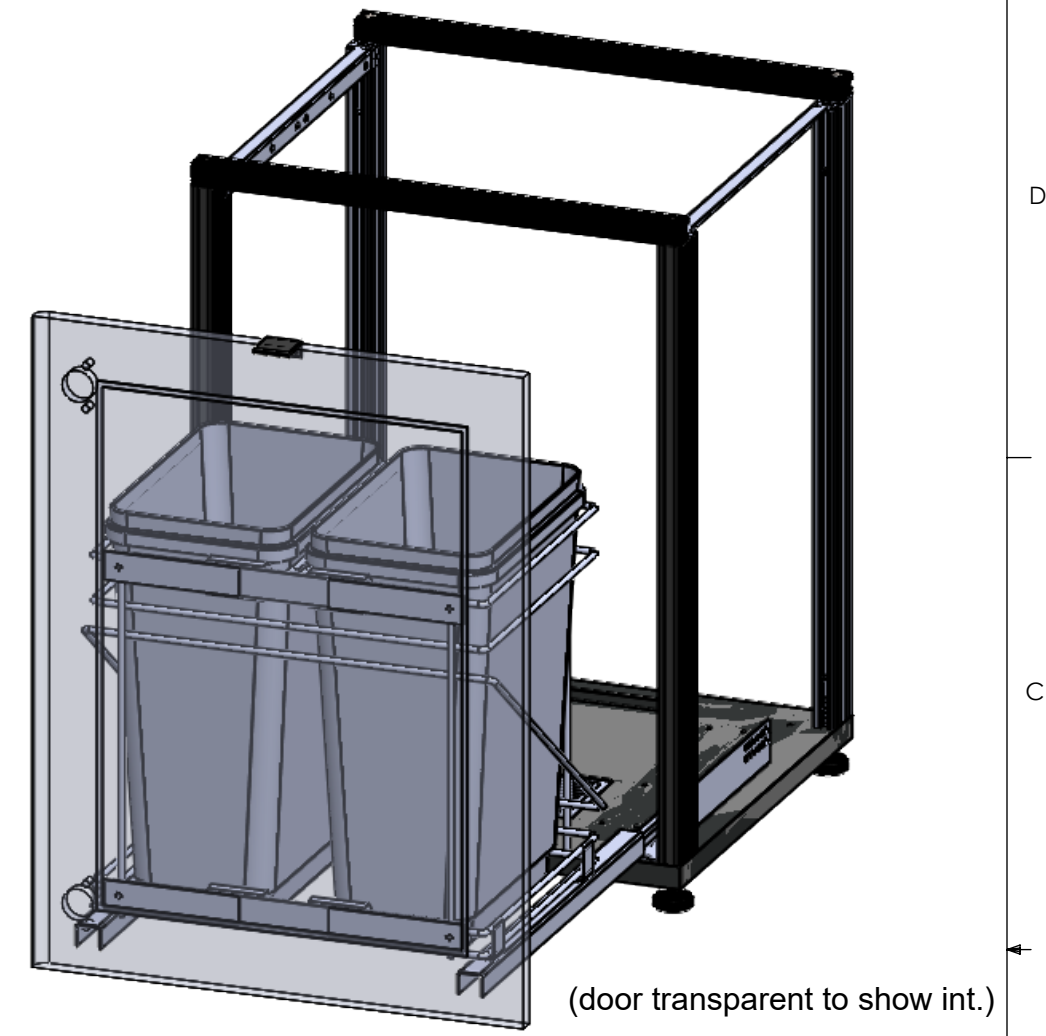


8 7 6 5 4 3 2 1


D
C
B
A



Features and Specs	
Dual waste bins	capacity 30 litres (8ga.)
Bin Dimensions	8"Lx16"Wx18"H
Soft Close	Yes
Door Alignment	3-way Adjustable
Finish	Chrome/ Gray
Compatible Liner	8 gallon and up
Load Capacity	75 lbs.



8 7 6 5 4 3 2 1

		811 BLUE HILLS AVE. BLOOMFIELD, CT 06002 T/ 860.313.0525 / F/ 860.313.0526		SIZE B
TITLE: FI/C30/TRK/C				
MATERIAL: SEE NOTE		SURFACE TREATMENT:		
DRAWN BY N.BRANNIGAN	DATE 1-7-20	HEAT TREATMENT:		
ENGINEER XXX	CHECKED BY	SCALE XX	SHEET 1 OF 1	
DRAWING NUMBER: FI/C30/TRK/C in Frame			REV: 1	