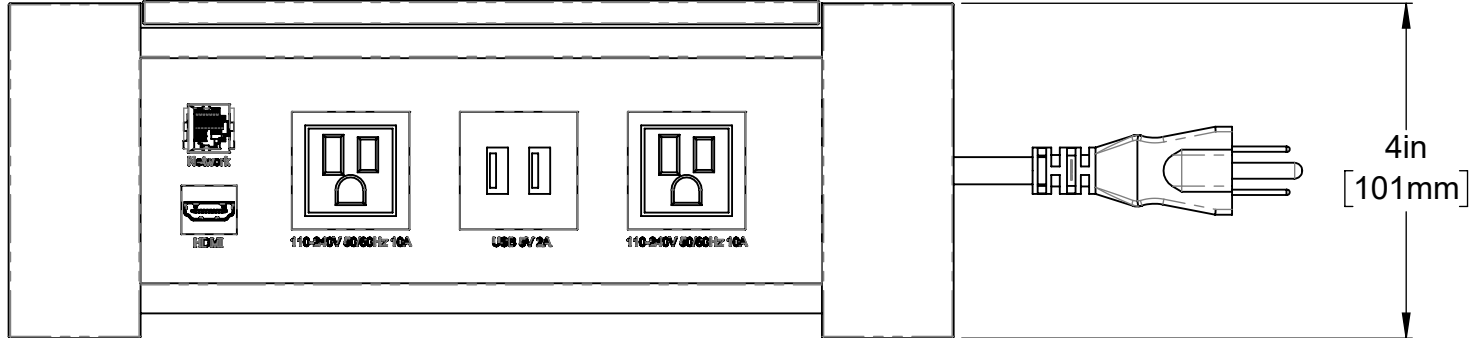
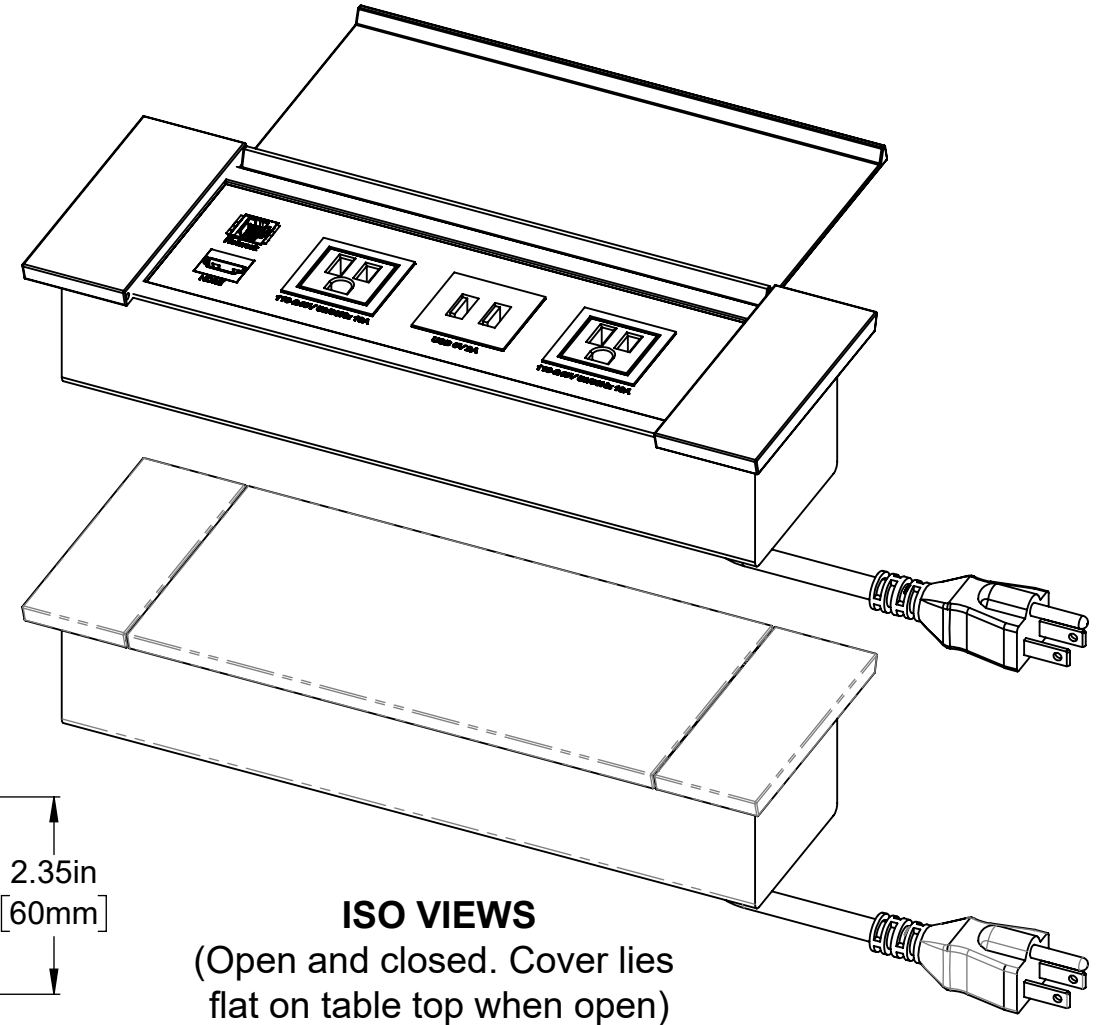


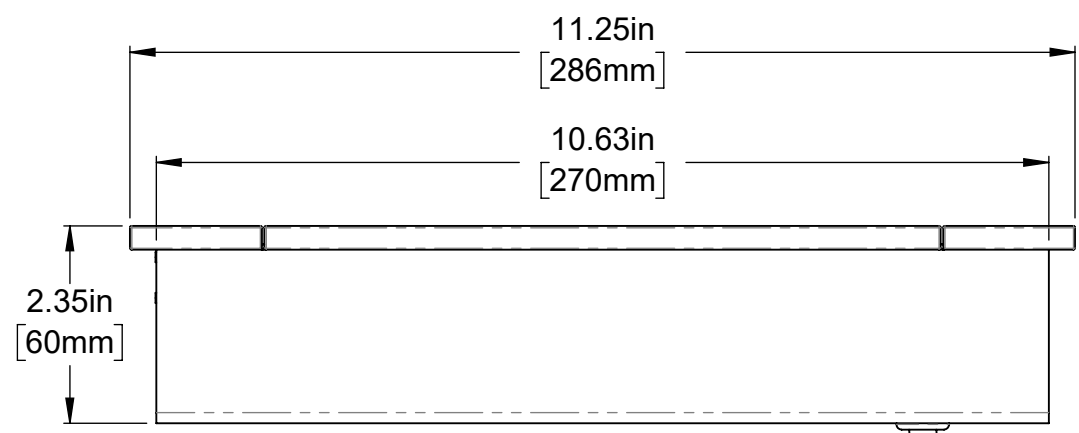
8 7 6 5 4 3 2 1



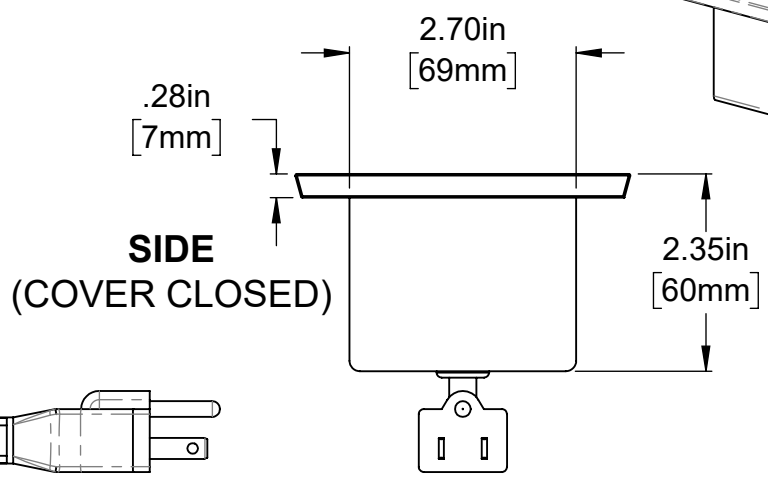
**TOP
(COVER OPEN)**



ISO VIEWS
(Open and closed. Cover lies flat on table top when open)



**FRONT
(COVER CLOSED)**



**SIDE
(COVER CLOSED)**

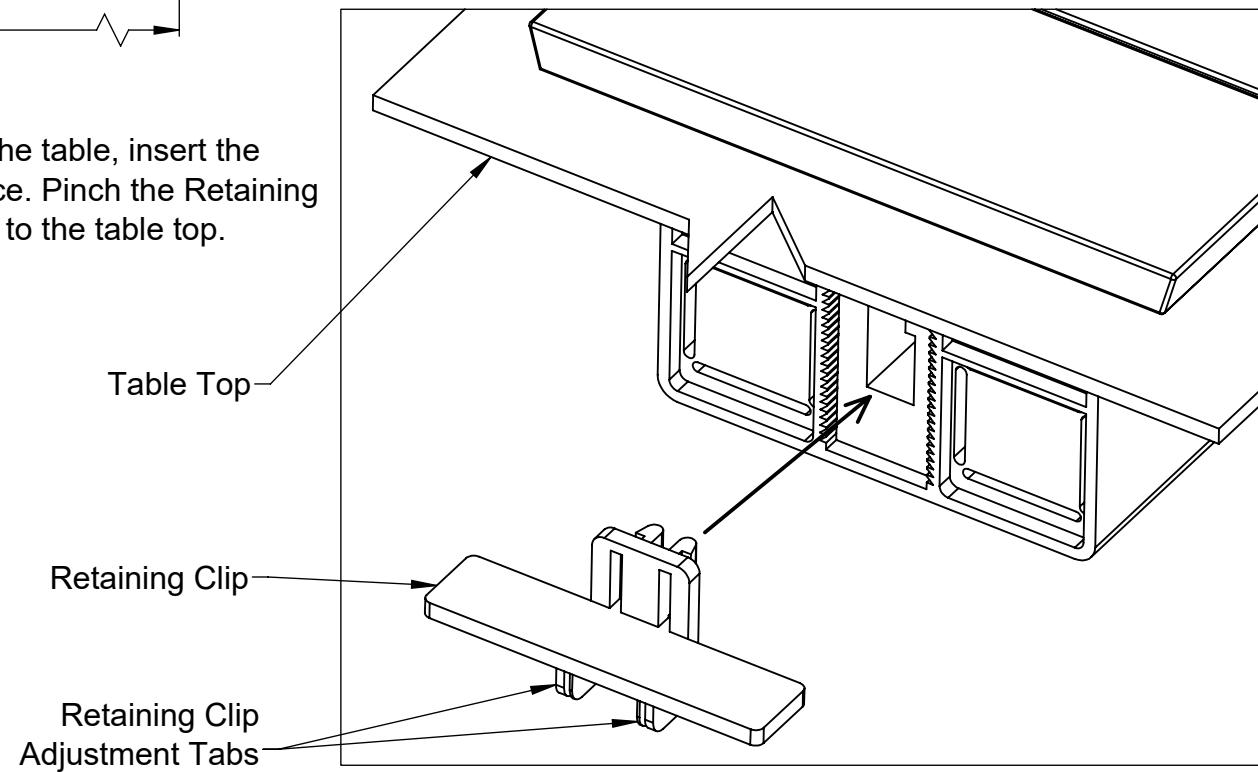
6' [1.83 Meter] POWER CORD

INSTALLATION:


Insert the unit through the DROP_IN CUTOUT. From underneath the table, insert the Retaining Clip into the slotted side of the unit until it snaps into place. Pinch the Retaining Clip Adjustment Tabs in to adjust the height and secure the device to the table top.

FEATURES:

- 2x US Power
- 2x USB Charging
- 1x Cat6
- 1x HDMI
- DROP-IN CUTOUT = 10.75" X 2.8"
- UL Certified



PROPRIETARY INFORMATION: THIS MATERIAL AND THE CONTENTS THEREOF ARE CONSIDERED THE PROPERTY OF SALAMANDER DESIGNS, AND THE DISCLOSURE TO UNAUTHORIZED INDIVIDUALS OR DISSEMINATION, PUBLICATION, OR COPYING THEREOF IS PROHIBITED WITHOUT PRIOR WRITTEN CONSENT BY SALAMANDER DESIGNS OF BLOOMFIELD, CONNECTICUT.

| | | | | |
|--|-----------|--|---------|-------------------|
|  | | 811 BLUE HILLS AVE. BLOOMFIELD, CT 06002 T/ 860.313.0525 / F/ 860.313.0526 | | SIZE B |
| TITLE: FI/CP9/SA Flip Top Integrated Socket, 4 Module 11x 4" 2x 110 power, 2x USB Charge, HDMI, Cat 6 | | | | |
| MATERIAL | | SEE NOTE | | SURFACE TREATMENT |
| DRAWN BY | G.KESSLER | DATE | 1-16-20 | HEAT TREATMENT |
| ENGINEER | XXX | CHECKED BY | XX | SHEET |
| | | | | 1 OF 1 |
| DRAWING NUMBER | | | | REV |
| FI_CP9_SA | | | | xx |

8 7 6 5 4 3 2 1