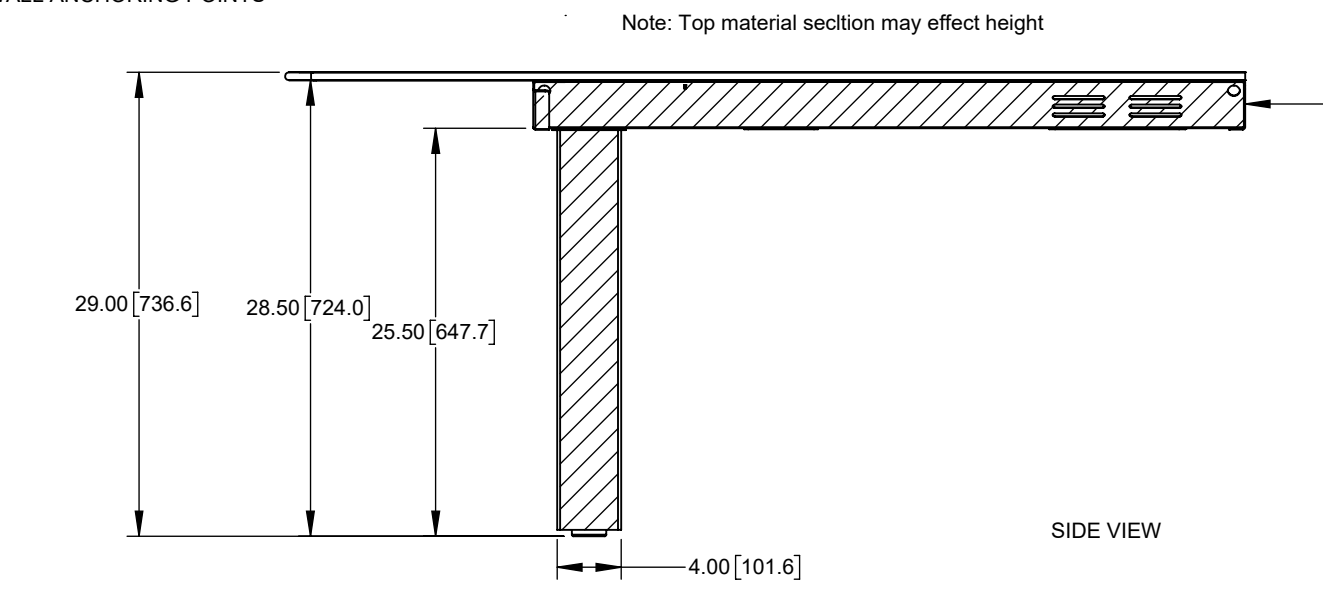
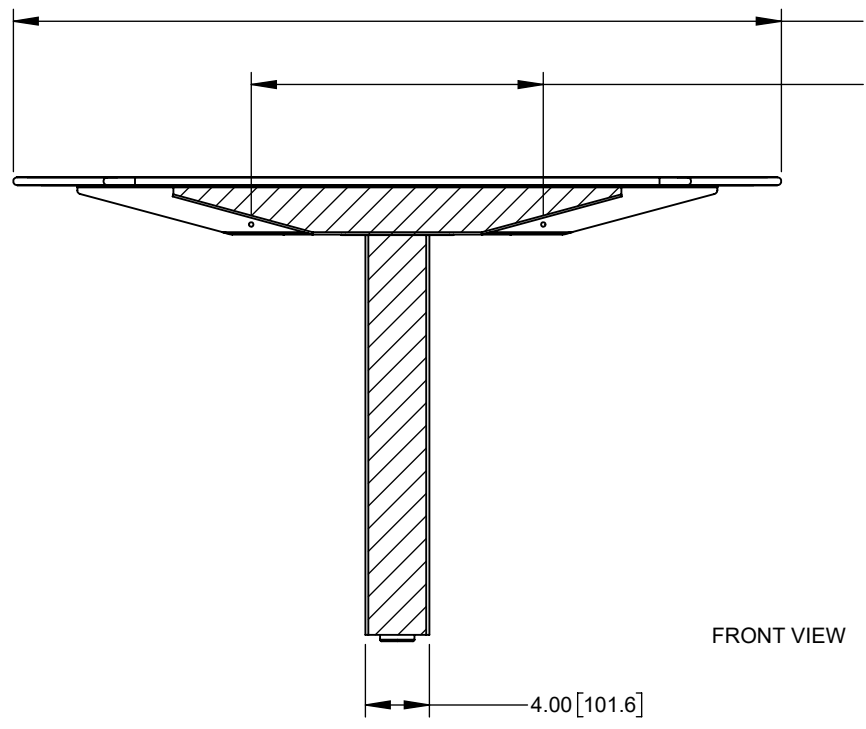
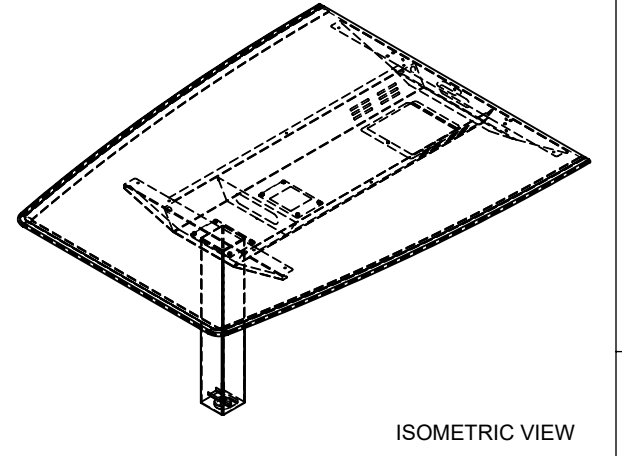
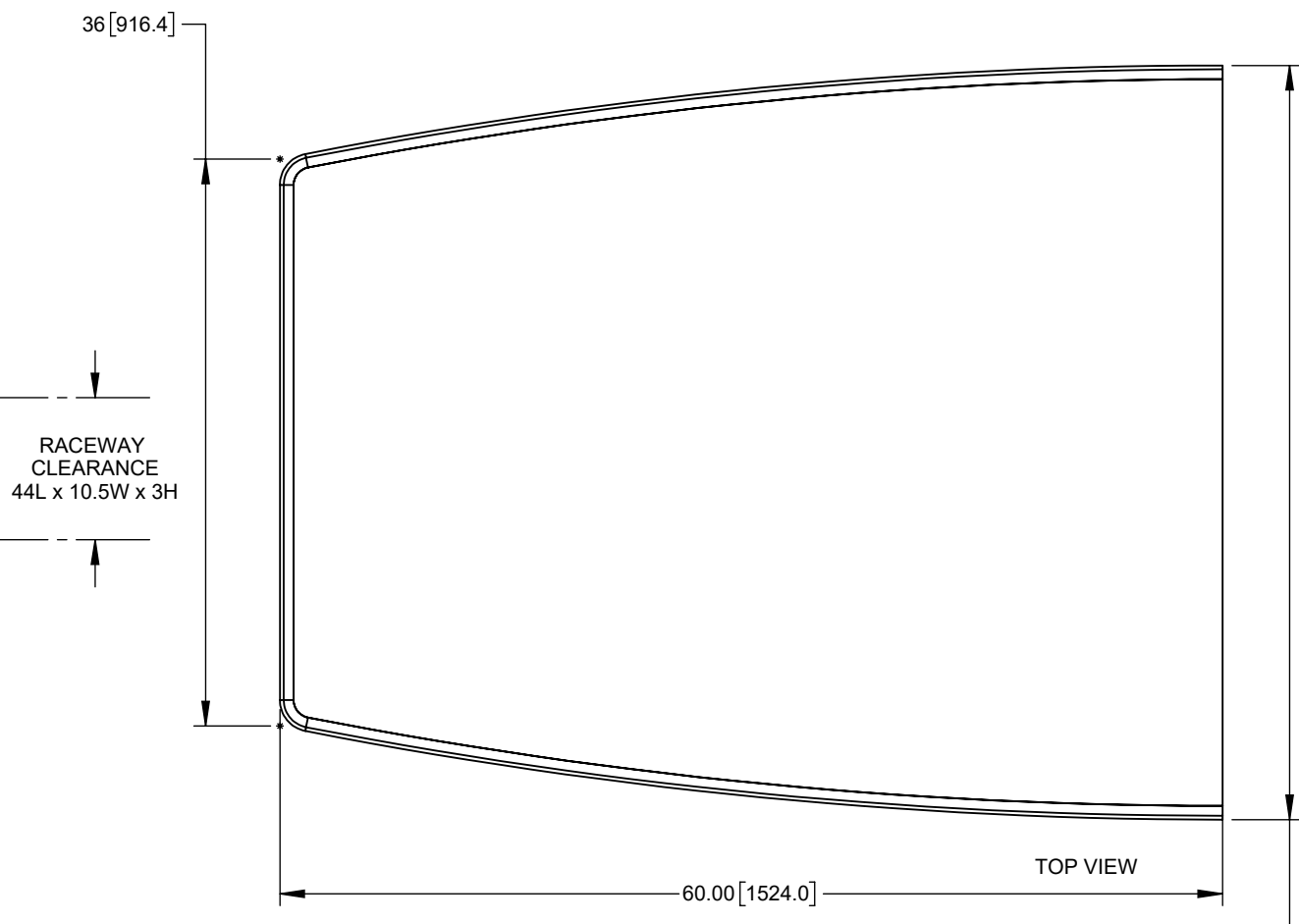
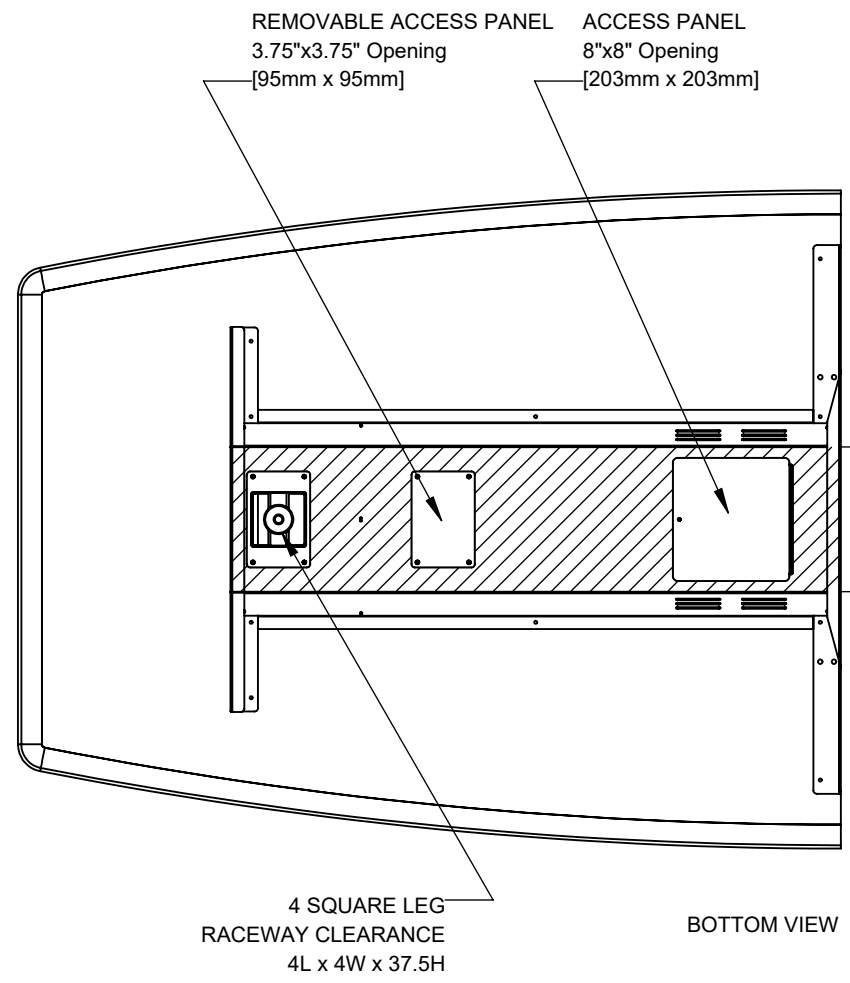


REVISIONS			
REV.	DESCRIPTION	DATE	APPROVED
1	INITIAL DESIGN	10/31/2020	S. SINGH



RACEWAY CLEARANCE
3H x 10W x 44L

		811 BLUE HILLS AVE. BLOOMFIELD, CT 06002 T/ 860.313.0525 / F/ 860.313.0526		SIZE B
TITLE: WALL STATION - COUNTER HEIGHT NO MOUNT				
MATERIAL SEE NOTES		SURFACE TREATMENT N/A		
DRAWN BY S. SINGH	DATE 10/31/2020	HEAT TREATMENT N/A		
ENGINEER	CHECKED BY	SCALE N/A	SHEET	
DRAWING NUMBER TBD			REV 5	

PROPRIETARY INFORMATION: THIS MATERIAL AND THE CONTENTS THEREOF ARE CONSIDERED THE PROPERTY OF SALAMANDER DESIGNS, AND THE DISCLOSURE TO UNAUTHORIZED INDIVIDUALS OR DISSEMINATION, PUBLICATION, OR COPYING THEREOF IS PROHIBITED WITHOUT PRIOR WRITTEN CONSENT BY SALAMANDER DESIGNS OF BLOOMFIELD, CONNECTICUT.