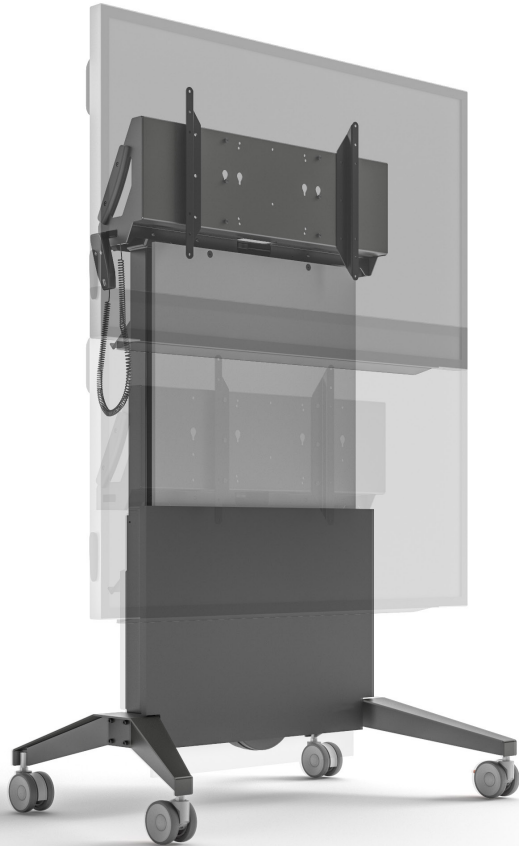




## ELECTRIC LIFT MOBILE STAND

Designed for Microsoft Surface Hub 2S 50"

FPS2/EL/MS/GG



Take control of creative, presentation and collaboration work spaces. Salamander's beautiful and highly functional FPS Series Mobile Stands offer superior ergonomics complimenting any touch screen display with improved productivity, unrivaled flexibility and lifetime value.

A stylish, sleek and compact design moves easily between spaces. A thoughtful range of accessories provides even more utility and an improved user experience.

- Mobile stand for interactive display / touchscreen panel
- Compatible with Microsoft Surface Hub 2S
- Motorized Electric Lift and wired remote
- ADA Compliant
- Ergonomic design. Adjustable height positioning provides best possible ergonomics and viewing
- Superior mobility. High quality commercial grade locking casters and integrated handles provide easy maneuverability and transport
- Fully concealed cable management allows clean and uncluttered installation
- Range of travel, Center of screen : Min- 36.83" (935.5 mm) and Max 62.42" (1585.5 mm)
- Storage for electronic components, peripherals and accessories
- Telescopic design allows compact position for transport and storage
- Durable construction. Made in USA of powder coated steel, Linak Motor components, Powder coated and/or veneered MDF panels
- Options available for peripheral equipment mounting, retractable cable reel, secure equipment storage cover, keyboard tray and more
- Limited Lifetime Warranty



© 2020 Microsoft. Microsoft, the Microsoft logo, Microsoft Surface, Surface, and the Microsoft Surface logo are trademarks of the Microsoft group of companies. All other trademarks are the property of their respective owners.

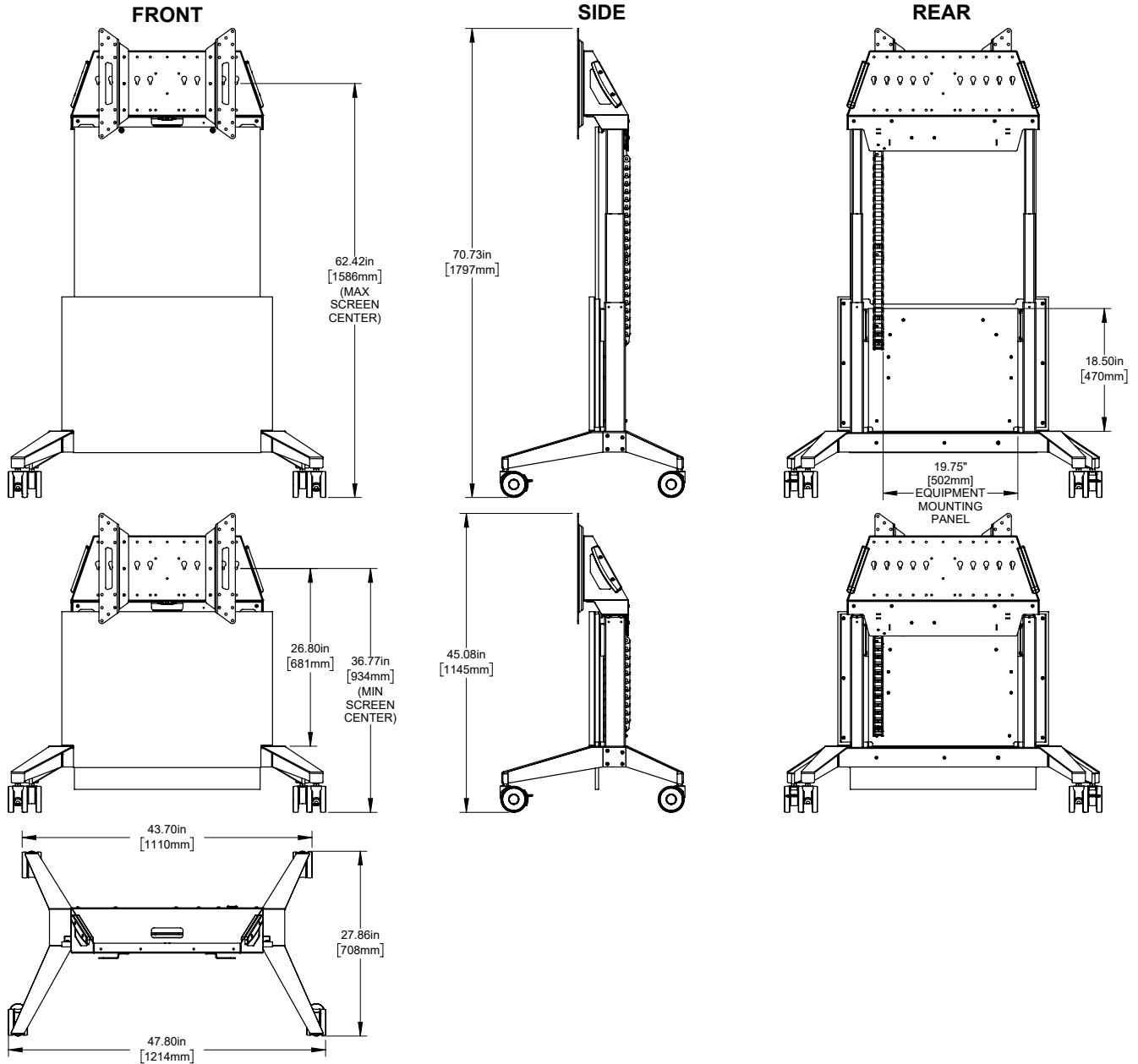




# ELECTRIC LIFT MOBILE STAND

Designed for Microsoft Surface Hub 2S 50"

FPS2/EL/MS/GG





# ELECTRIC LIFT MOBILE STAND

Designed for Microsoft Surface Hub 2S 50"

FPS2/EL/MS/GG

PRODUCT SPECIFICATIONS	Metric (mm)	US/Imperial Inches	SHIPPING DIMENSIONS		
	Length	1215.2	47.84	1,219 mm	48 inch
Overall Height Range	1146.6 - 1796.6	45.14 - 70.7	1,016 mm	40 inch	
Center of Screen Range of Travel	935.83 - 1585.5	36.83 - 62.42			
Depth	695.4	27.38	406 mm	16 inch	
Weight	61.23 kg	135 lbs	72.57 kg	160 lbs	
<b>Max Load Capacity</b>	<b>79.38 kg</b>	<b>175 lbs</b>			
UPC Number	634878507110				

### VESA COMPLIANT MOUNT PATTERN

Horizontal - 200, 250, 300, 350, 400, 450, 500, 600, 650, 700mm  
 Vertical - 200, 300, 350, 400mm  
 Panel Mounting - M4, M5, M6 Screws

Includes Microsoft Surface Hub 2 Mounting adapter (CA/MAC4) VESA 350mm x 350mm

### CASTER WHEELS

4" (100mm) HD, Non Marking, Brakes on 2

### ELECTRICAL INFORMATION

Input: 90V - 240V ~, 48 Hz - 63HZ  
 Duty Cycle: 10% Max 2min / 18min

### CABLE MANAGER CHAIN

1" x .75" x 34" (25 x 19 x 865mm)

### POWER CABLE

IEC - Type Class 2, 2-prong  
 USA Included: (PN 400-590)

Available:

EU (PN 400-591)

UK (PN 400-592)

New Zealand, Australia and others (PN 400-593)





**Electric Lift Mobile Stand**



**Fixed Height Mobile Stand**



Designed for  


\*Battery not included

## Surface Hub 2S Battery Storage Case

Deploy a truly mobile meeting experience with this fully integrated Surface Hub 2S Battery Storage Case. This ensures that the APC™ \*battery stays 100% secure as you move the Surface Hub 2S about to accommodate today's needs and flex spaces. This cover is constructed with the finest quality, laser cut steel and includes a durable steel locking mechanism to ensure long-lasting, secure battery storage.

- Secures APC™ Mobile Battery to Salamander Designs FPS Electric Lift and Fixed Height Stands
- Enables additional component storage below battery thanks to a slim design
- Ensures long-lasting durability with premium, laser cut steel construction
- Charge battery and operate stand with minimal effort by adding our standard cable reel accessory
- Product Dimensions 16.2" W (411 mm) x 24.16" H (614mm) x 3.76" D (95mm)
- Enjoy total peace of mind with our Lifetime Limited Warranty
- Not compatible with the following accessories; Keyboard Shelf, 3U or 5U Racks or Storage Covers

**Part# – FPSA/MSB**

## Salamander and Schneider for a Complete Mobile Solution Hub 2S Solution.

Now you can deploy a truly wireless, mobile meeting experience with this fully integrated Surface Hub 2S with APC™ Smart-UPS battery system by Schneider Electric and Salamander Designs, FPS Electric Lift and Fixed Height Stands.

This all-in-one solution ensures the APC™ Smart-UPS, a lithium-ion battery system, stays 100% secure as you move the Surface Hub 2S about to accommodate today's needs and flex spaces. The battery (not included) allows mobility for over 100 minutes, so you're always connected. The Salamander cover is constructed with the finest quality, laser cut steel and includes a durable steel locking mechanism to ensure long-lasting, secure battery storage.

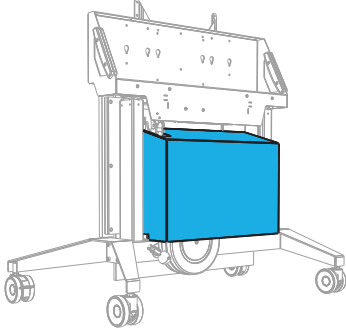




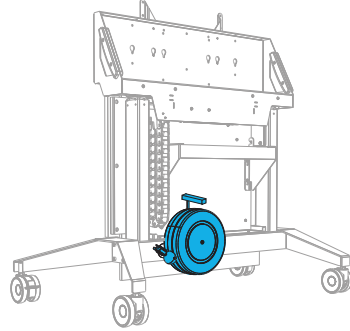
# ELECTRIC LIFT MOBILE STAND

Designed for Microsoft Surface Hub 2S 50"

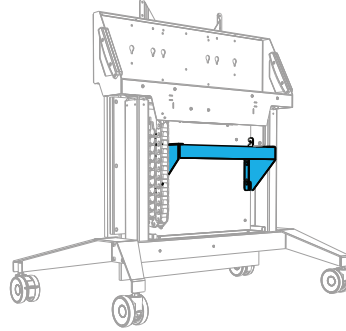
FPS2/EL/MS/GG



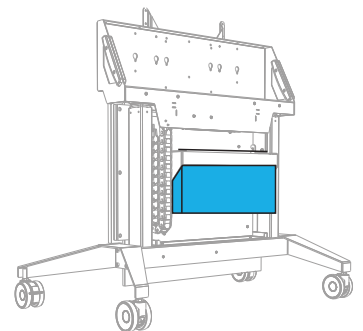
**Equipment Storage Cover- Graphite**  
FPSA/SC/GT



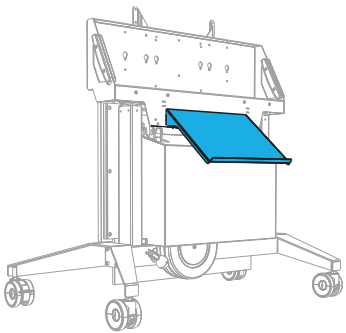
**Cable Reel 30' Payout, 24" Tri-Tap Female End**  
FPSA/CR



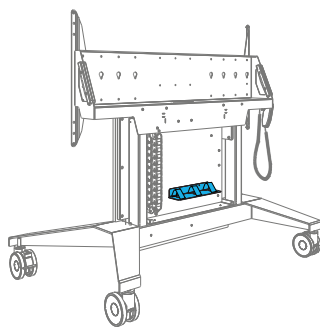
**19" Rack Mounting 3 RU**  
RM/VR/3U



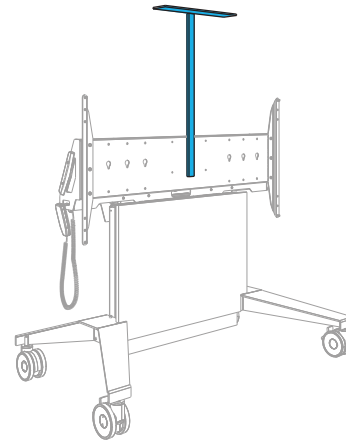
**Power Distribution Unit**  
SA/RM/PDU



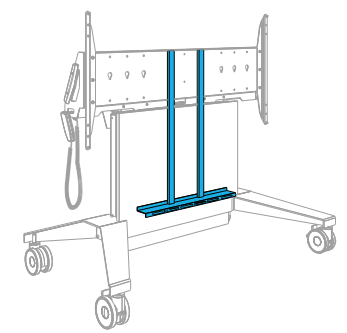
**Keyboard Storage Shelf- Graphite**  
FPSA/KS/GT



**Accessory Shelf with Straps**  
FPSA/AS1



**Camera Mount Shelf**  
FPSA/CS



**Speaker Bracket Kit**  
FPSA/SBK



**Wireless RF Remote Control with Memory**  
FPSA/RF1

## ROAD CASE

FOR EASY DEPLOYMENT

Combine a mobile stand with a road case to provide secure and convenient transport of your display.

Accommodates Stand & Display

FPSA/RC/EL



© 2020 Microsoft. Microsoft, the Microsoft logo, Microsoft Surface, Surface, and the Microsoft Surface logo are trademarks of the Microsoft group of companies. All other trademarks are the property of their respective owners.



811 Blue Hills Ave, Bloomfield, CT 06002, 800.898.0566  
salamandercommercial.com

©2021 Salamander Designs Ltd. 12.21

