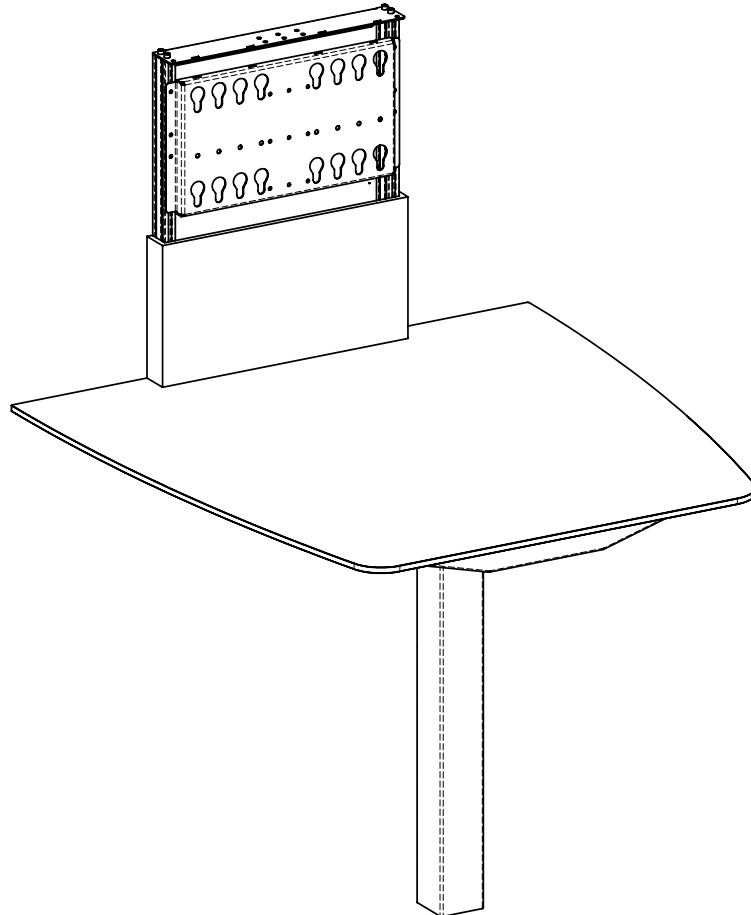




UHL40A ASSEMBLY INSTRUCTIONS

UNIFI HUDDLE LITE, CAFE – SINGLE MOUNT



TIP HAZARD WARNING!

For use with video monitors weighing **175lbs (80kg)** or less. Use with heavier televisions may result in instability causing tip over resulting in death or serious injury.

LIMITED WARRANTY FOR COMMERCIAL VIDEO DISPLAY STANDS, MOUNTS AND HUDDLE

Salamander is proud to stand behind our products with industry-leading warranties. Should you ever encounter any problem with your Salamander product, let us know. We are here to make it right. 1.860.761.9500

Full warranty including limitations and warranty claim information may be found at www.salamandercommercial.com/warranty



WARNINGS

IMPORTANT SAFETY INSTRUCTIONS

READ ALL INSTRUCTIONS BEFORE USING THIS FURNISHING



WARNING! – Failure to comply with these instructions may result in accident involving serious personal injury. Failing to follow these instructions can result in the product being damaged or being destroyed or voiding of the warranty.



WARNING! – For use with video monitors weighing 175lbs (80kg) or less. Use with heavier televisions may result in instability causing tip over resulting in death or serious injury.

CAUTION!

- Close supervision is necessary when this furnishing is used by or near children, invalids, or disabled persons
- Use this furnishing only for its intended use as described in these instructions. Do not use attachments not recommended by the manufacturer.
- Do not use outdoors
- For Commercial Use Only

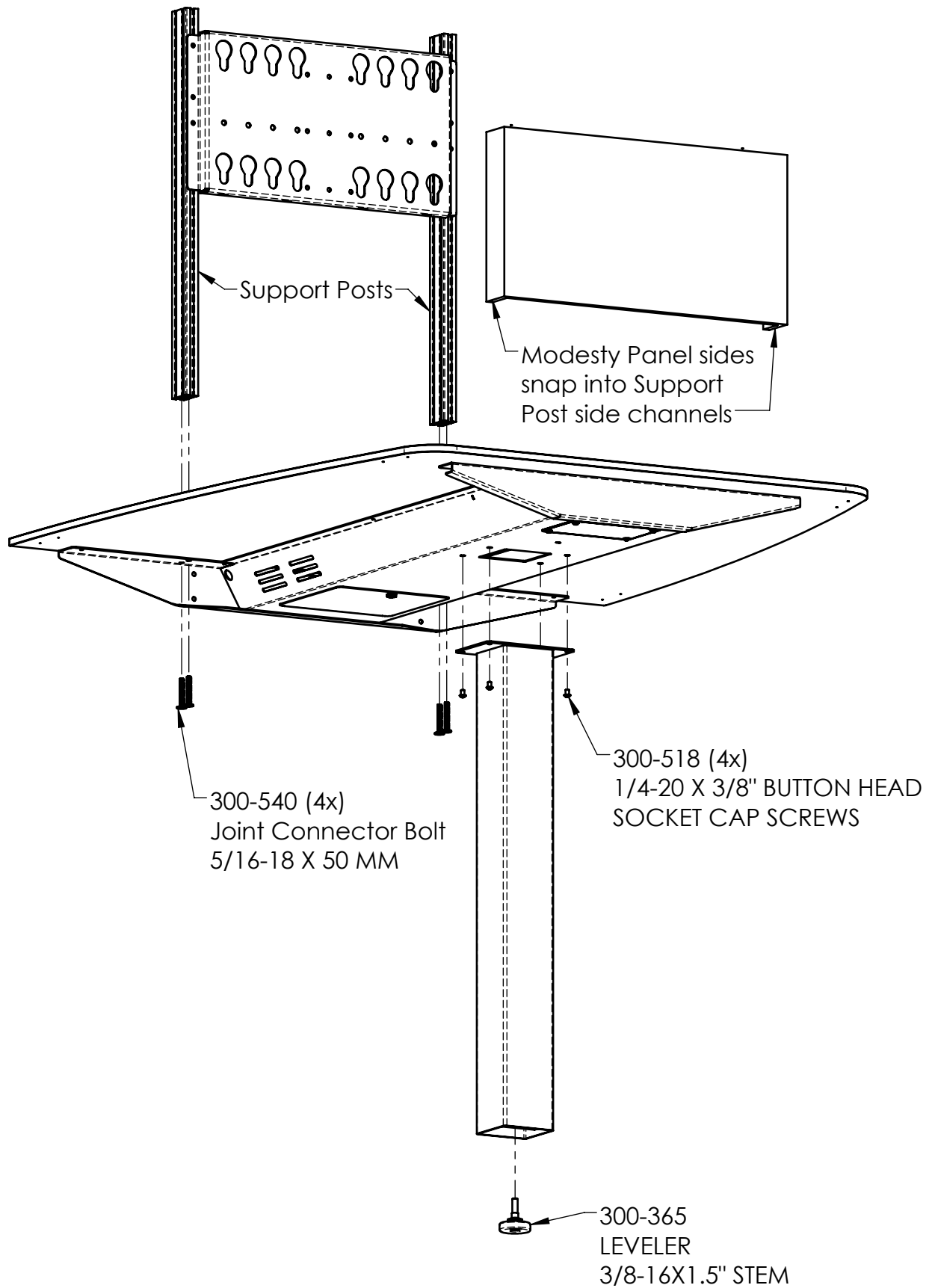
Weight Capacities – Max Load: D1/337AM1 - 175 lbs (80kg)

***** **SAVE THESE INSTRUCTIONS** *****

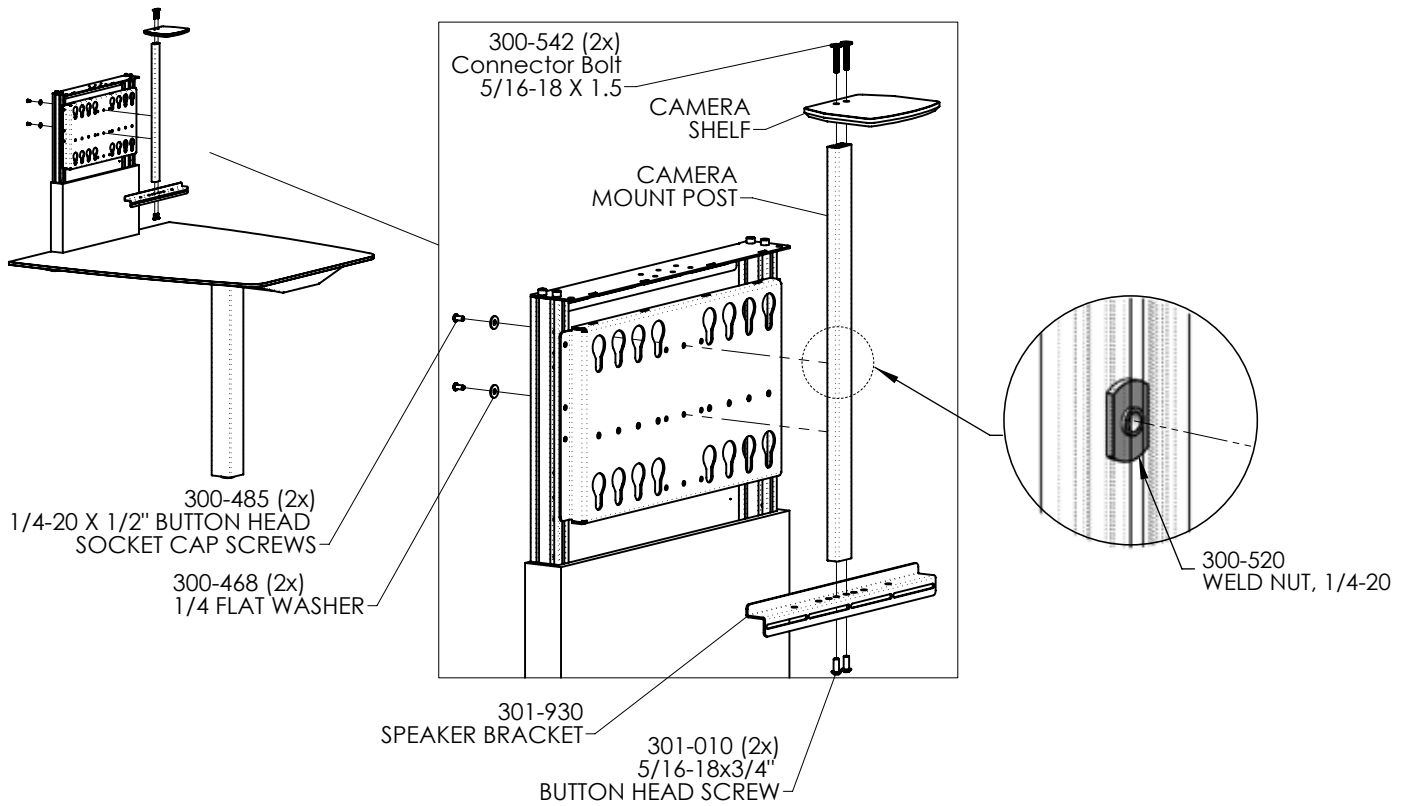
Accessories and Spare Parts

Please contact Salamander Designs 860.761.9500 or www.salamanderdesigns.com

1. ATTATCH LEG AND MOUNT

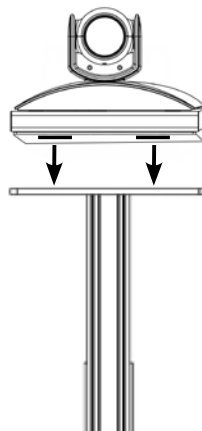
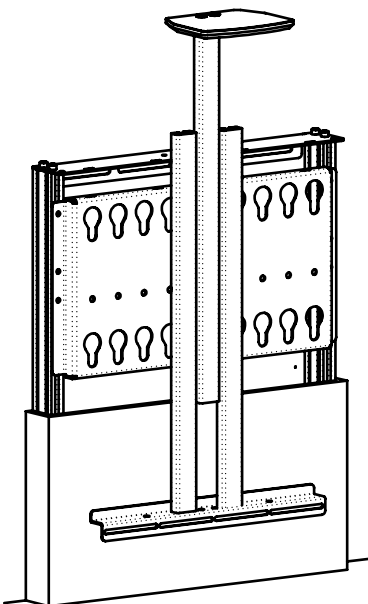


2. INSTALL CAMERA SHELF (OPTIONAL)



Attach the tech shelf and/or speaker/camera bracket by using the hardware in the locations shown above.

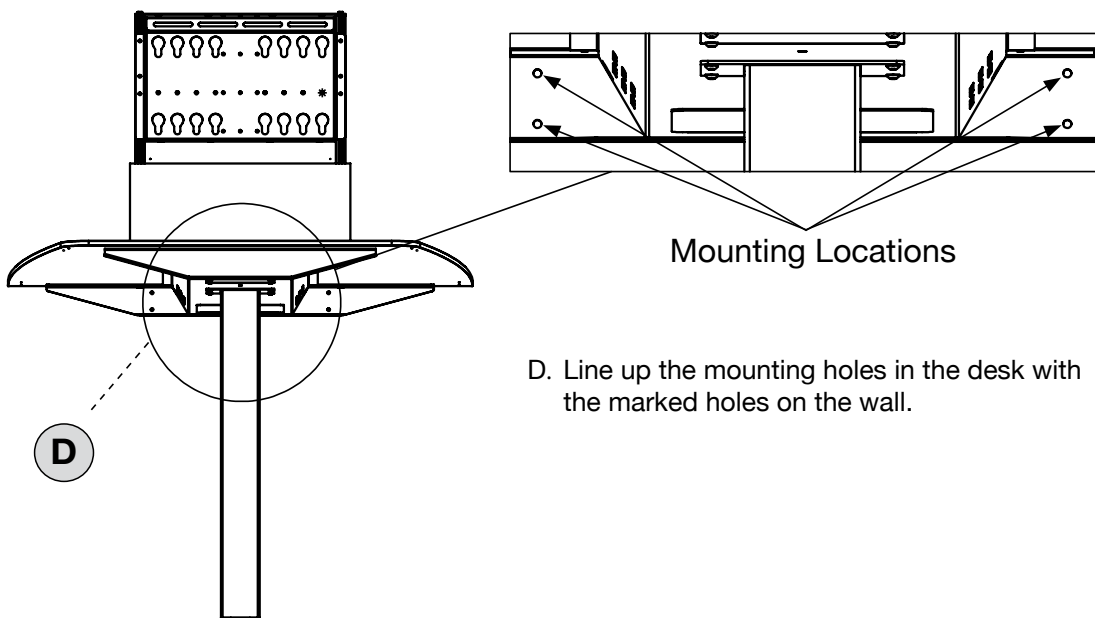
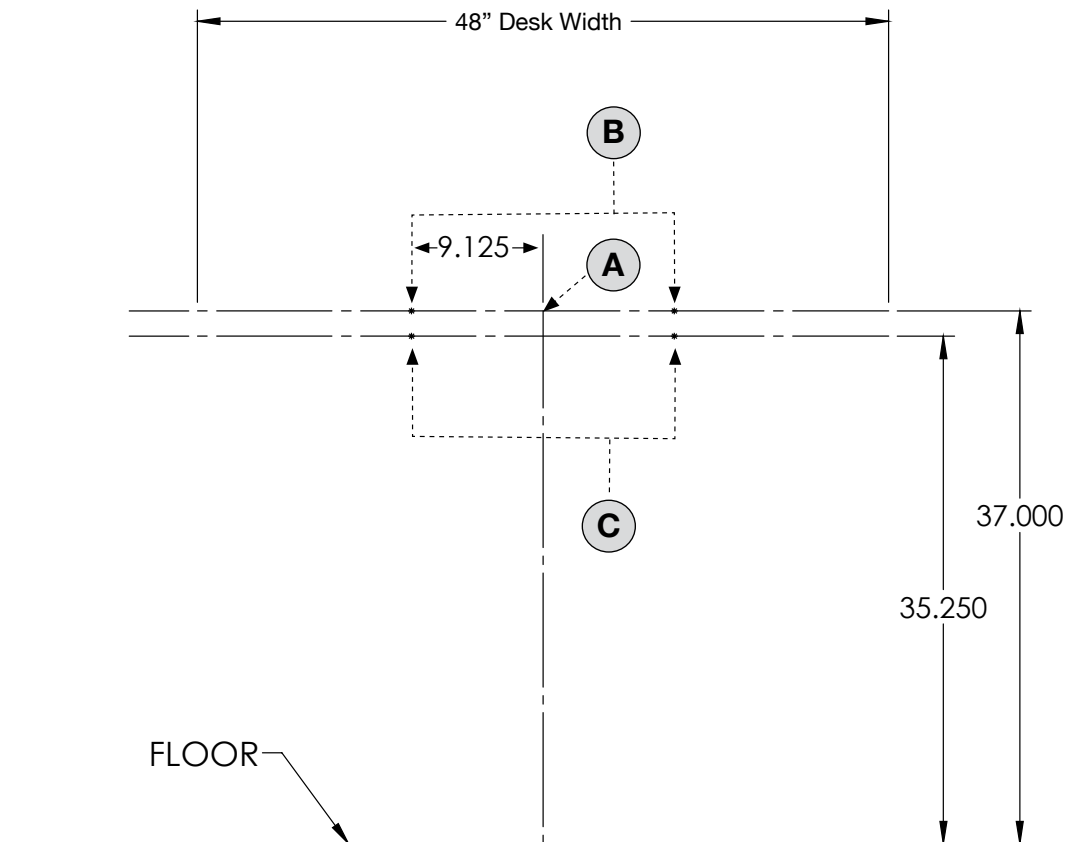
The weld nuts are to be located inside of the tech shelf mount post slot. Both the tech shelf and speaker/camera bracket can be positioned either above or below the display.



Use Double-Sided Tape (M) to secure device from sliding off shelf.

3. MARK WALL FOR INSTALLATION

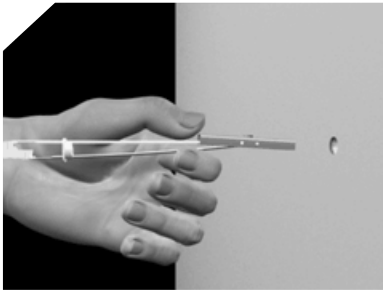
- A. Determine the location for your 48" wide table and clearly mark a vertically level line from the midpoint of the unit. Make this line 37" high.
- B. Draw a level line through the top of the 37" mark and make another mark 9.125" away from the center mark (18.25" total).
- C. Repeat this process for the remaining two mounting locations 35.25" from the floor.



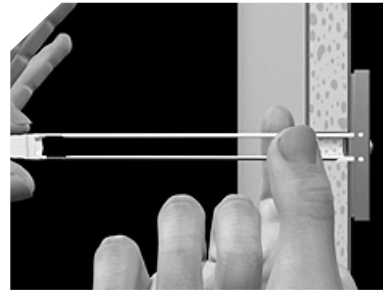
- D. Line up the mounting holes in the desk with the marked holes on the wall.

4. INSTALL WALL FASTENERS (MOST APPLICATIONS)

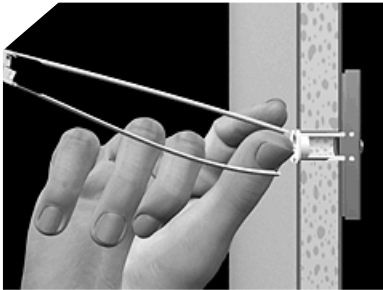
Install wall fasteners to marked location on wall & fasten cabinet.



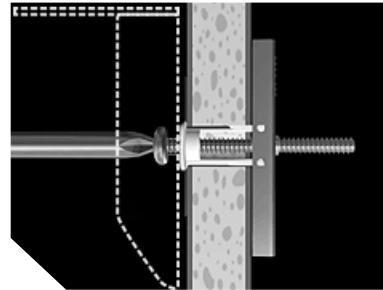
- A** Drill 1/2" diameter hole. Hold metal channel flat alongside plastic straps and slide channel through hole.



- B** Hold ends of straps between thumb and forefinger and pull toward you until channel rests flush behind wall. Slide plastic cap along straps with either hand with flange of cap is flush with wall.



- C** Snap straps at wall by pushing side to side, snapping of straps level with flange of cap.

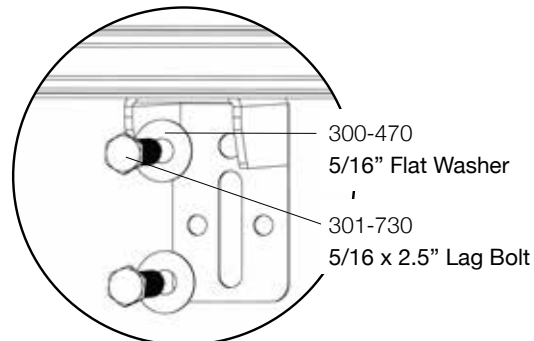
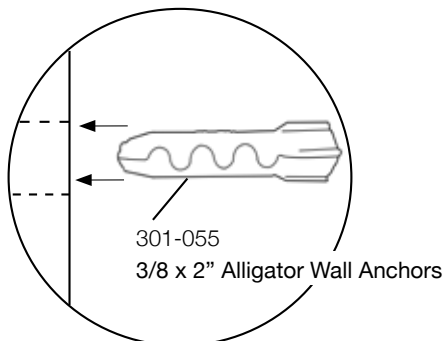


- D** Move cabinet to wall and attach bracket. Insert bolt through Bracket and tighten until snug against wall.

4B. INSTALL WALL FASTENERS (ALTERNATE)

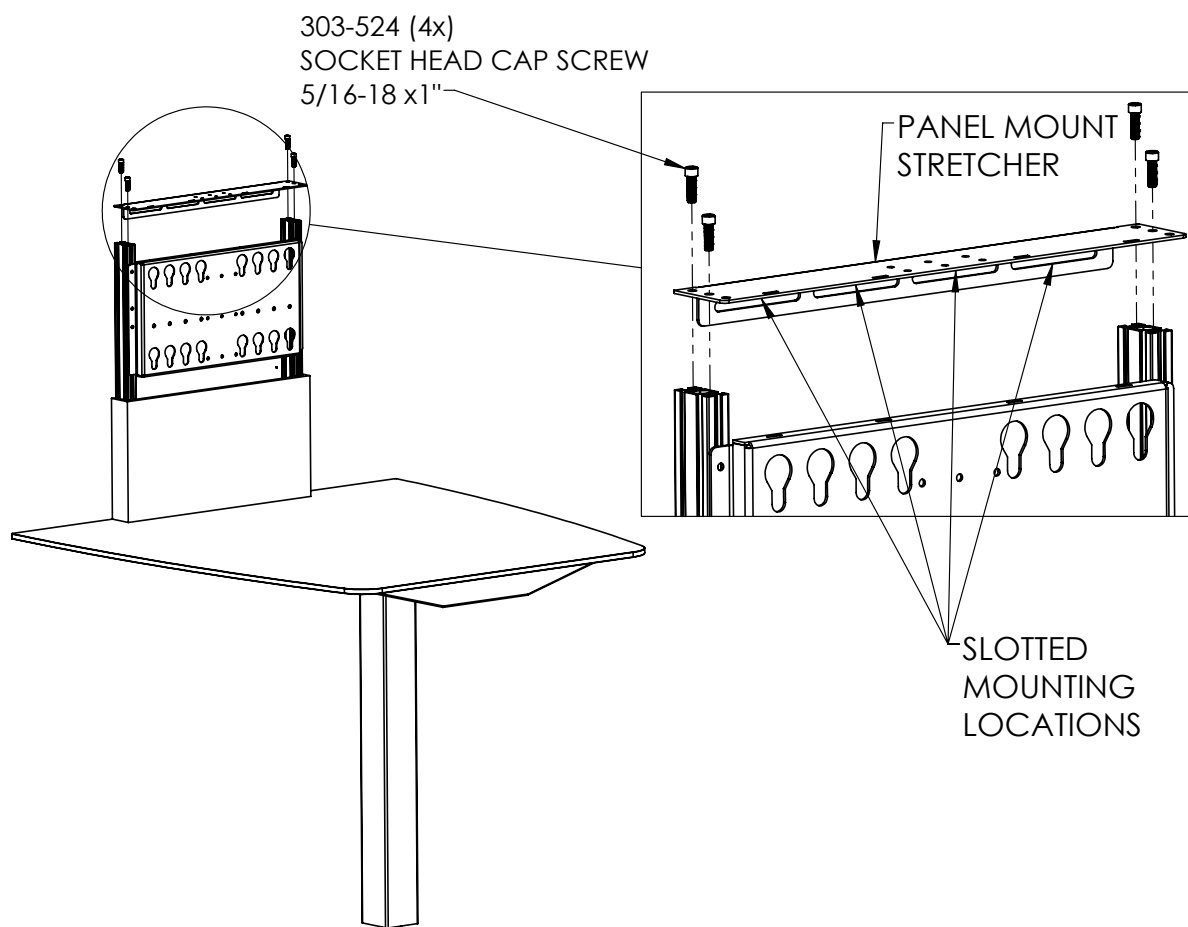
- A** **WOOD:** Locate two framing studs using a stud finder device.
MASONRY: Place brackets in desired location.

- B** Use a 3/16" [5mm] drill bit and drill holes 2.5" [64mm] deep.



5. COMPLETE WALL INSTALLATION

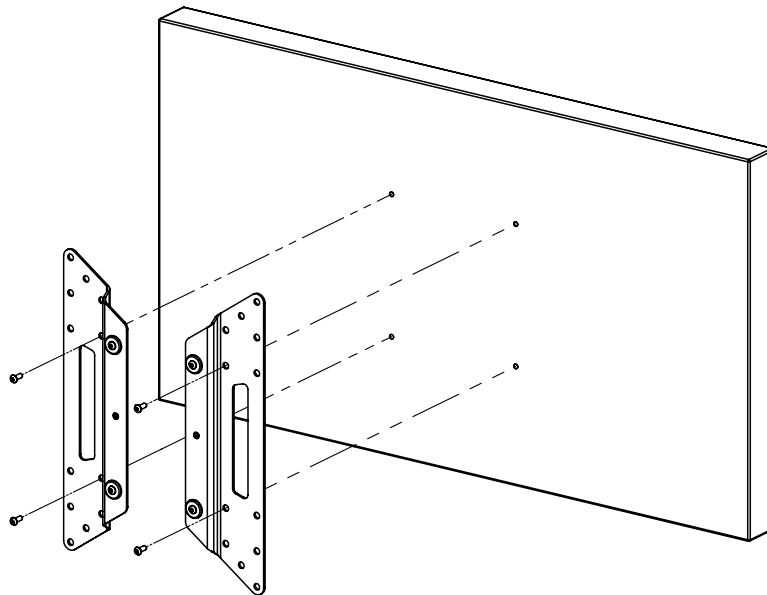
- A. Place panel mount stretcher in position shown.
- B. Mark two mounting points in slotted mounting location.
- C. Remove stretcher and drill two 1/2" holes.
- D. Attach stretcher to mount posts using four 303-524 screws as shown below. Install the two wall fastener bolts through panel mount stretcher into wall fastener.



6. INSTALL DISPLAY BRACKETS

Fasten the brackets using fasteners (length and size recommended by the display manufacturer). Using improper screw length and size can damage the display.

NOTE: An assortment of screws and optional spacers have been provided in the PL100 kit. Optional spacers are provided for additional clearance between the mount and the display, if necessary.



6. INSTALL DISPLAY

With the brackets now attached to the display, attach the display to the display mount by inserting the shoulder washers through the upper, large diameter portion of the teardrop shaped holes and gently allowing the four shoulder washers to seat at the bottom of the teardrop shaped holes.

