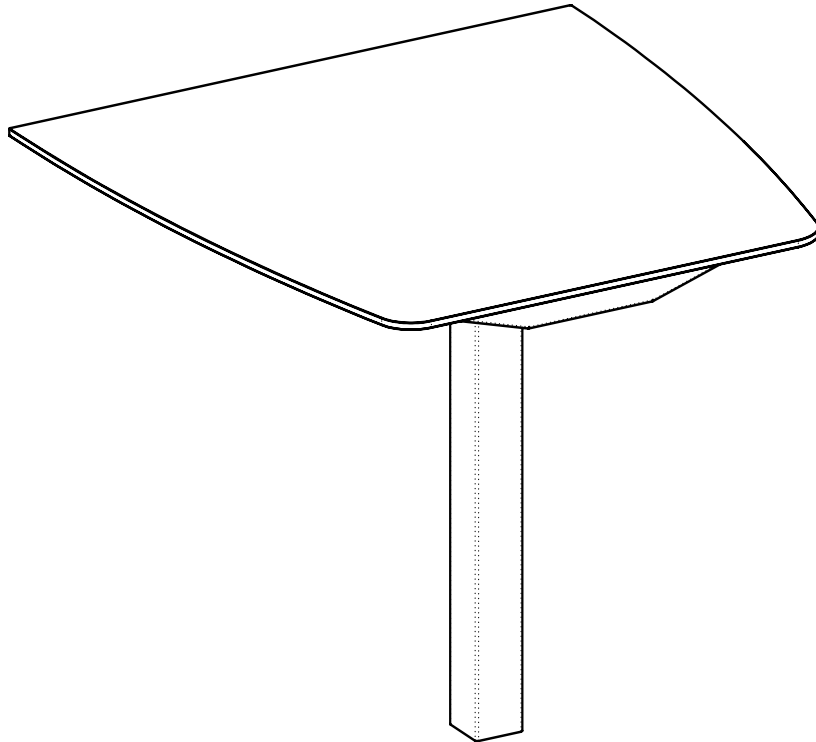




## UHL40A ASSEMBLY INSTRUCTIONS

### UNIFI HUDDLE LITE, CAFE



#### LIMITED WARRANTY FOR COMMERCIAL VIDEO DISPLAY STANDS, MOUNTS AND HUDDLE

Salamander is proud to stand behind our products with industry-leading warranties. Should you ever encounter any problem with your Salamander product, let us know. We are here to make it right. 1.860.761.9500

Full warranty including limitations and warranty claim information may be found at [www.salamandercommercial.com/warranty](http://www.salamandercommercial.com/warranty)



# WARNINGS

## IMPORTANT SAFETY INSTRUCTIONS

### READ ALL INSTRUCTIONS BEFORE USING THIS FURNISHING



**WARNING!** – Failure to comply with these instructions may result in accident involving serious personal injury. Failing to follow these instructions can result in the product being damaged or being destroyed or voiding of the warranty.



#### CAUTION!

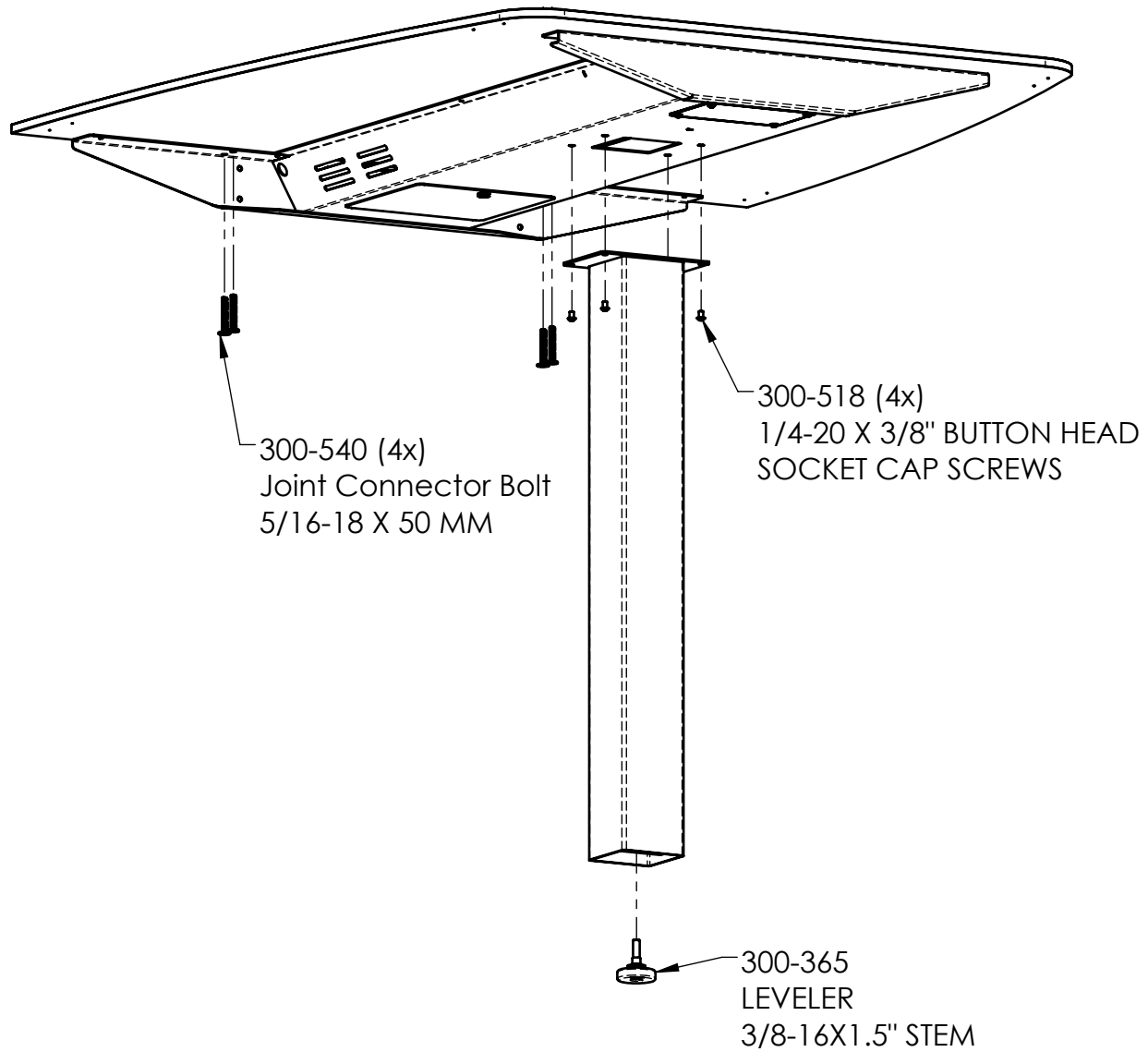
- Close supervision is necessary when this furnishing is used by or near children, invalids, or disabled persons
- Use this furnishing only for its intended use as described in these instructions. Do not use attachments not recommended by the manufacturer.
- Do not use outdoors
- For Commercial Use Only

\*\*\*\*\* **SAVE THESE INSTRUCTIONS** \*\*\*\*\*

Accessories and Spare Parts

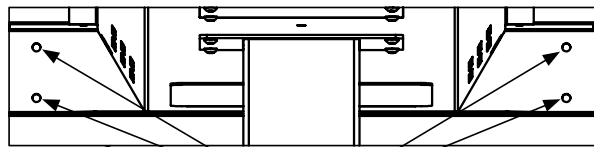
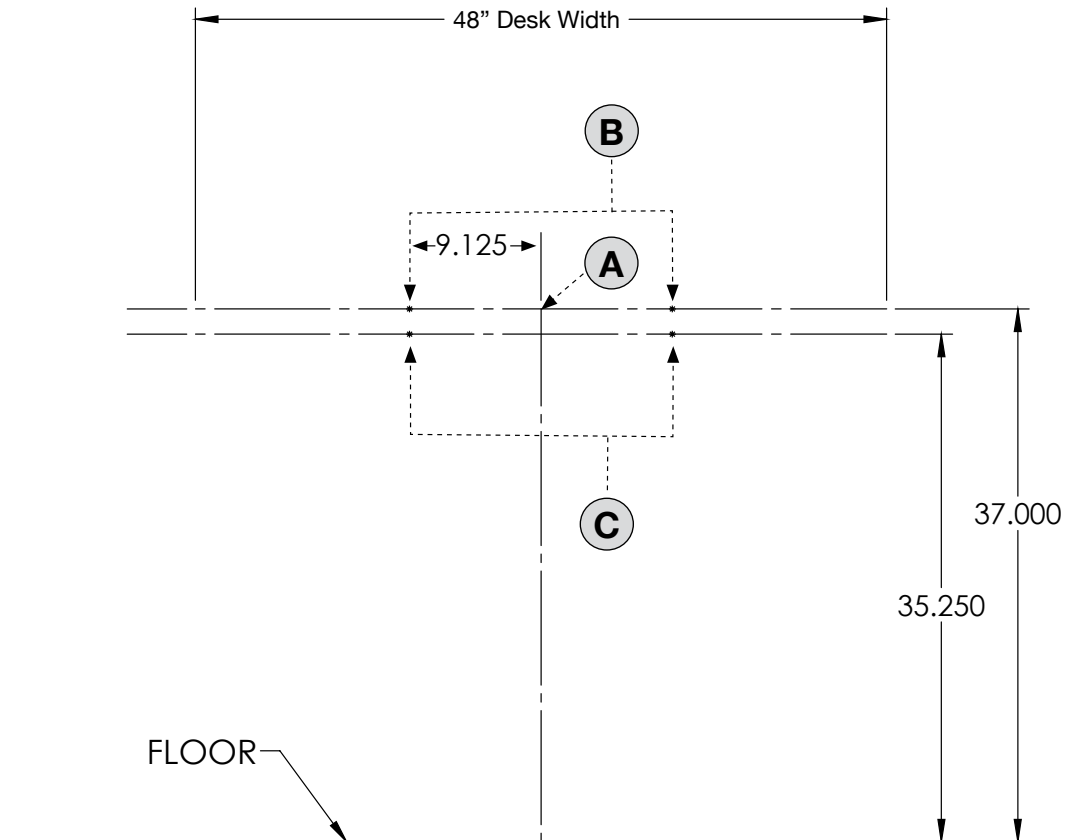
Please contact Salamander Designs 860.761.9500 or [www.salamanderdesigns.com](http://www.salamanderdesigns.com)

# 1. ATTATCH LEG

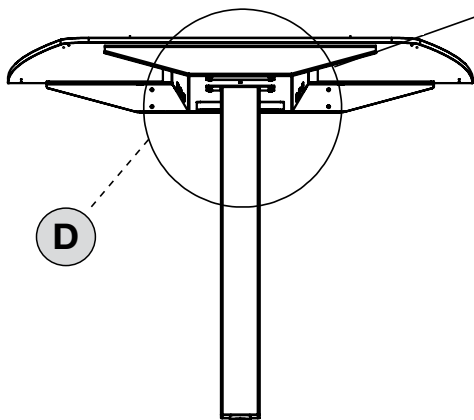


## 2. MARK WALL FOR INSTALLATION

- Determine the location for your 48" wide table and clearly mark a vertically level line from the midpoint of the table. Make this line 37" high.
- Draw a level line through the top of the 37" mark and make another mark 9.125" away from the center mark (18.25" total).
- Repeat this process for the remaining two mounting locations 35.25" from the floor.



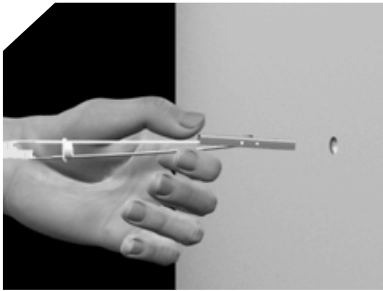
Mounting Locations



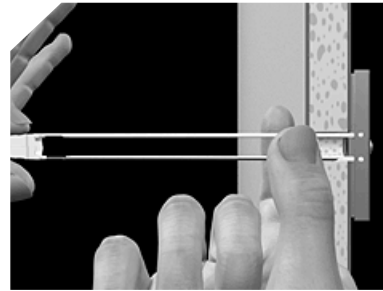
- Line up the mounting holes in the desk with the marked holes on the wall.

### 3. INSTALL WALL FASTENERS (MOST APPLICATIONS)

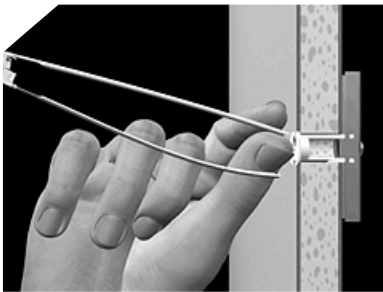
Install wall fasteners to marked location on wall & fasten table.



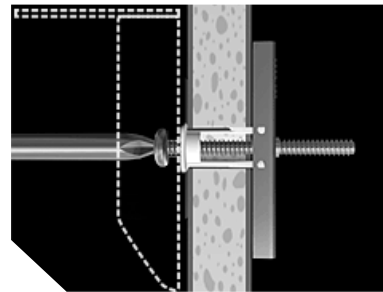
- A** Drill 1/2" diameter hole. Hold metal channel flat alongside plastic straps and slide channel through hole.



- B** Hold ends of straps between thumb and forefinger and pull toward you until channel rests flush behind wall. Slide plastic cap along straps with either hand with flange of cap is flush with wall.



- C** Snap straps at wall by pushing side to side, snapping of straps level with flange of cap.



- D** Move cabinet to wall and attach bracket. Insert bolt through Bracket and tighten until snug against wall.

### 4B. INSTALL WALL FASTENERS (ALTERNATE)

- A** **WOOD:** Locate two framing studs using a stud finder device.  
**MASONRY:** Place brackets in desired location.

- B** Use a 3/16" [5mm] drill bit and drill holes 2.5" [64mm] deep.

