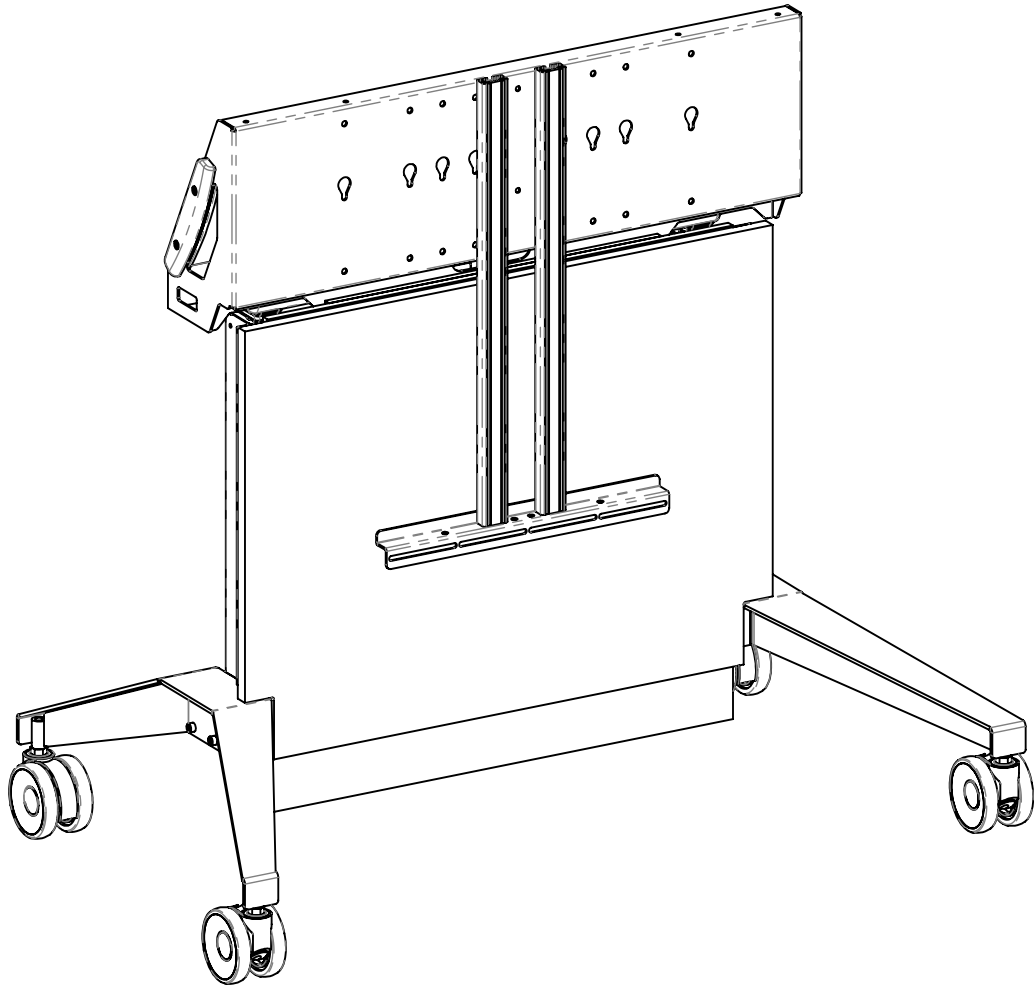




## ASSEMBLY INSTRUCTIONS

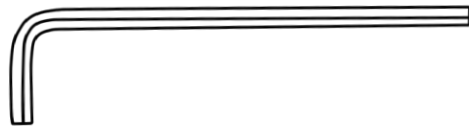
# FPS SOUNDBAR BRACKET KIT



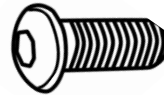
Weight capacity: 30 lbs (13.6 kg) - **Caution:** Do not exceed recommended weight capacity of FPS unit. Must account for overall weight of display when installing to FPS Soundbar Bracket Kit.

# PARTS

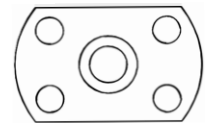
ID	QTY	PART NUMBER	DESCRIPTION
A	(1)	400-080	5/32" Hex Key
B	(4)	300-485	1/4-20 x 1/2" Button Head Cap Screws
C	(4)	300-560	1/4-20 Weld Nut
D	(2)	301-845	Mounting Post
E	(1)	301-930	PM300 Soundbar Bracket
F	(4)	301-015	5/16-18 x 1/2" Button Head Screws
G	(1)	400-058	3/16" Hex Key



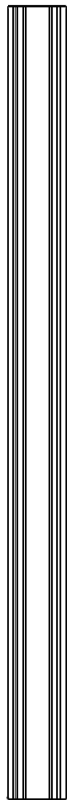
A



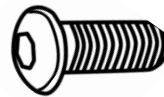
B



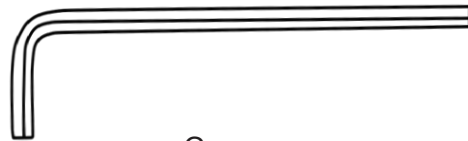
C



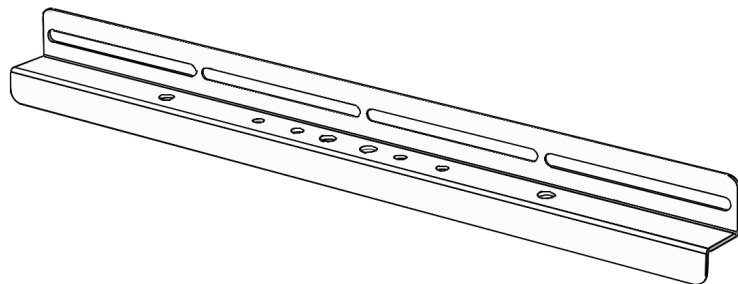
D



F

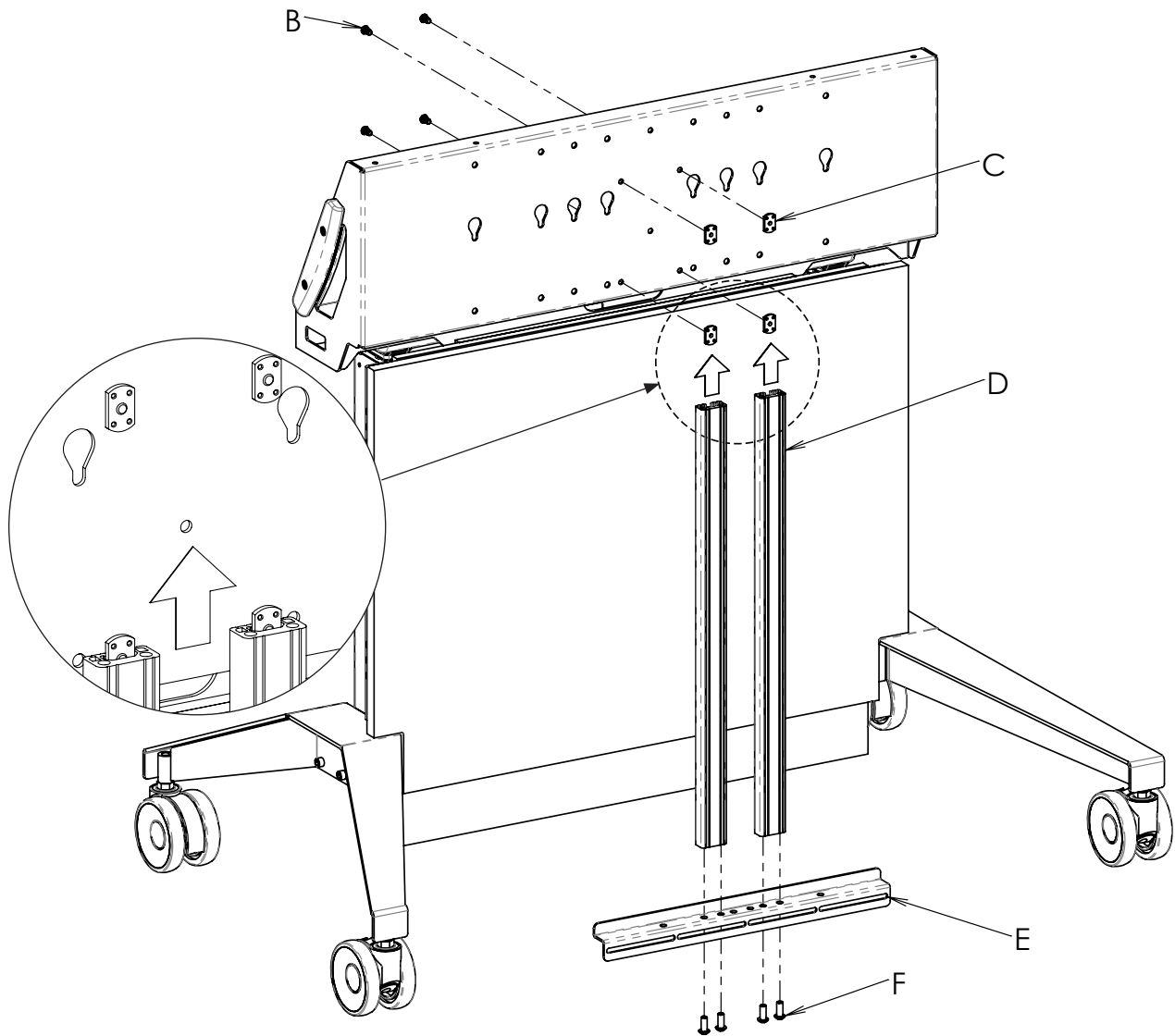


G



E

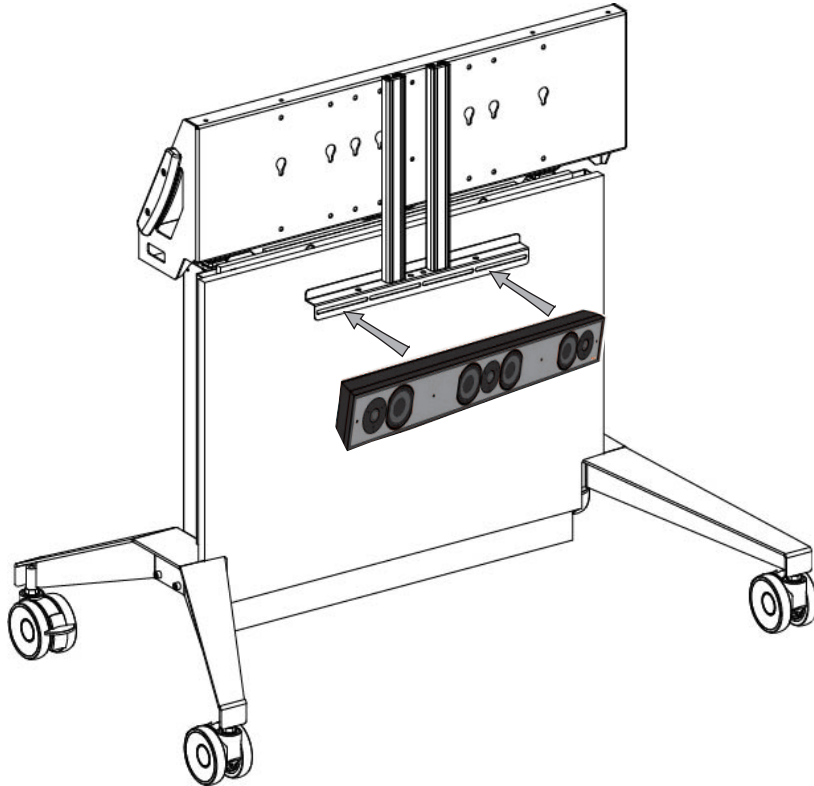
## INSTALL POSTS & BRACKET



- Install Bracket (E) to bottom of Mounting Posts and secure with screws (F).
- From the rear of the header, connect the 4 (B) screws loosely to the 4 (C) Weld Nuts. Do not tighten.
- Slide the open side of (D) Mounting Posts over the Weld Nuts so that the Weld Nuts are captured inside of the Mounting Posts. With Mounting Posts at desired position, tighten screws using Hex Key (A).
- Align Speaker mounting locations with Mounting Bracket slots (fasteners not included).

# INSTALL SPEAKER

Align speaker mounting locations along the mounting bracket slots.  
(Fasteners are not included)



**SALAMANDER**  
DESIGNS

#### LIMITED WARRANTY FOR COMMERCIAL VIDEO DISPLAY STANDS AND MOUNTS

Salamander is proud to stand behind our products with industry-leading warranties. Should you ever encounter any problem with your Salamander product, let us know. We are here to make it right.

1.800.535.5659 - 860.761.9500 Full warranty including limitations and warranty claim information may be found at:

[www.salamanderdesigns.com/commercial/warranty](http://www.salamanderdesigns.com/commercial/warranty)