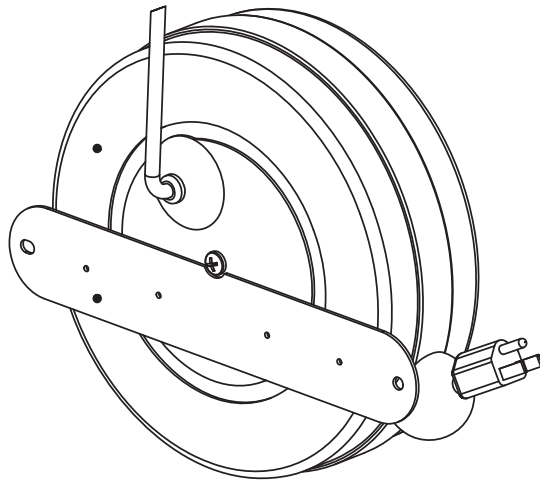


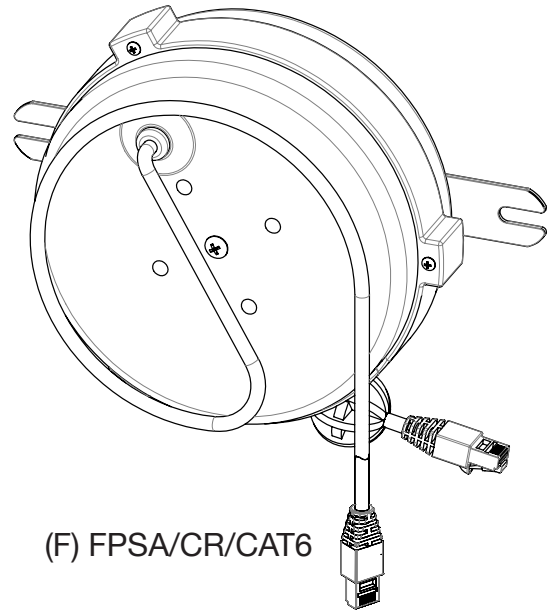


**RETRACTABLE CABLE REEL 30' – FPSA/CR**  
**CAT6 CABLE REEL 20' – FPSA/CR/CAT6**

# FPS ACCESSORY USER MANUAL



(E) FPSA/CR



(F) FPSA/CR/CAT6

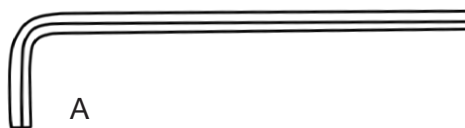
*Electrical Specs:*

*Max Rating - 10A, 125V, Indoor, Dry Location, General Use Cord Reel Only*

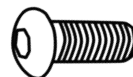


## PARTS

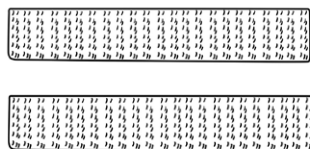
ID	QTY	PART NUMBER	DESCRIPTION
A	(1)	400-080	5/32" Hex Key
B	(2)	300-485	1/4-20 x 1/2" Button Head Cap Screws
C	(2)	300-160	Velcro Strip
D	(2)	300-170	Velcro Strip
G	(1)		Cat6 RJ45 Ethernet Extension Cable - 6'



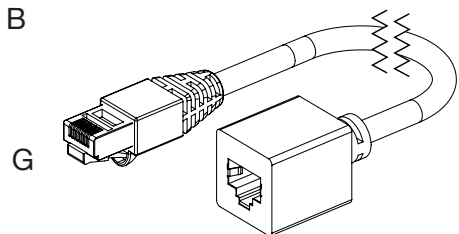
A



B

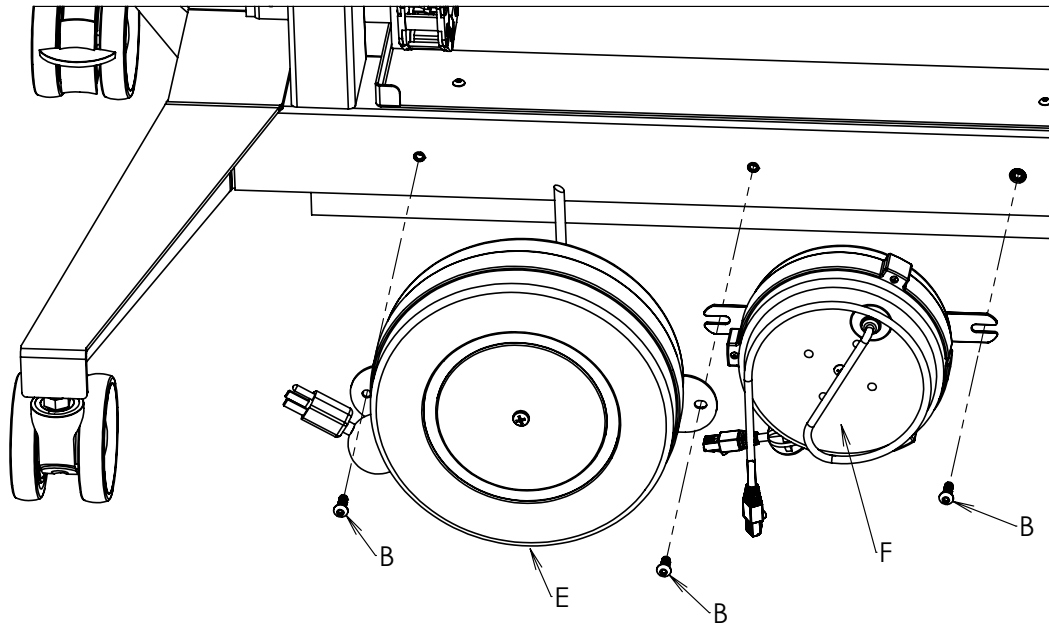


C & D



G

## INSTALL REEL



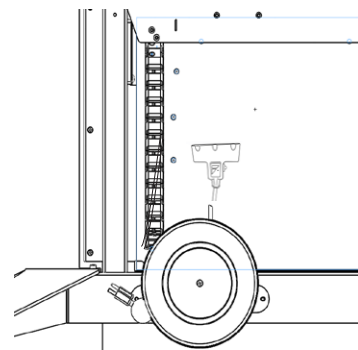
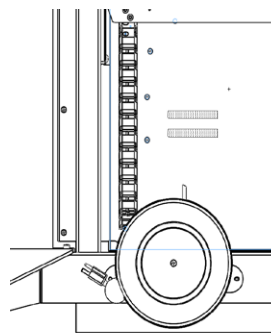
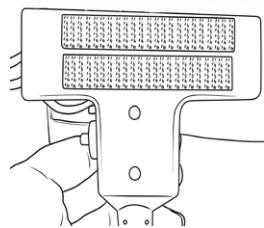
Install cable reels to rear of bottom cross beam using two screws (B) in the holes shown. If installing both (E) and (F) reels, use three (B) screws as shown.

## INSTALL TRI-PLUG *(FPSA/CR Only)*

Attach (2) 300-160 Velcro strips to the side of the cable reel tri-top female end plug as shown.

Attach (2) 300-170 Velcro strips to desired location on the FPS back Panel as shown

Affix Tri-top female end plug to FPS rear panel.



**SALAMANDER**  
DESIGNS

### LIMITED WARRANTY FOR COMMERCIAL VIDEO DISPLAY STANDS AND MOUNTS

Salamander is proud to stand behind our products with industry-leading warranties. Should you ever encounter any problem with your Salamander product, let us know. We are here to make it right. 1.800.535.5659 - 860.761.9500

Full warranty including limitations and warranty claim information may be found at [www.salamanderdesigns.com/commercial/warranty](http://www.salamanderdesigns.com/commercial/warranty)