



Tech Bracket Installation - Single Display

ASSEMBLY INSTRUCTIONS



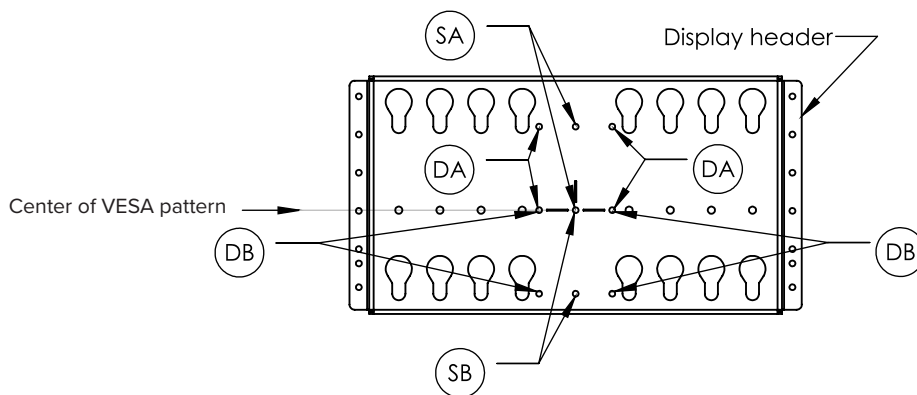
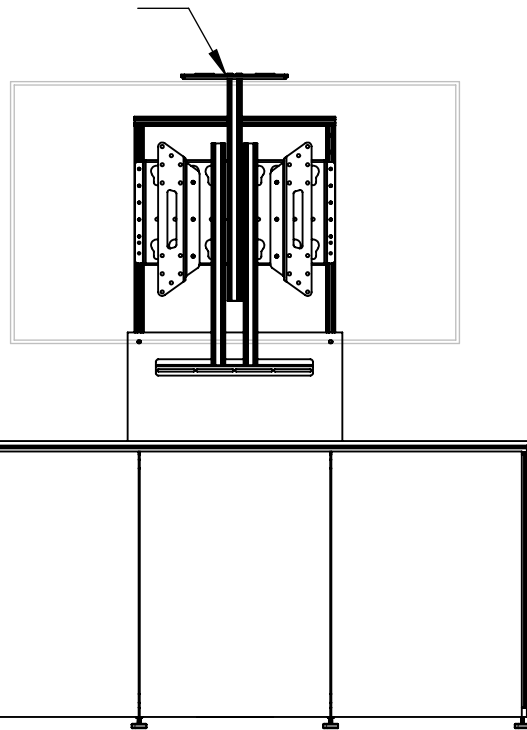
Install Tech Brackets above or below screen, and in conjunction with Tech Shelves prior to installing display.

Dual post max weight capacity: 25lbs

Single post max weight capacity 15lbs

If using 2 devices, with one above and below, you will need to use a combination of 1 and 2 post mounts as shown. These can be either 1 over 2, or 2 over 1.

1 over 2 configuration



SA	Single post above
SB	Single post below
DA	Dual post above
DB	Dual post below

Hardware

A. 300-485

B. 300-468

C. 300-560

D. 300-542

E. 300-505

F. 300-530

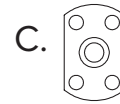
G. 302-305

H. 300-471

I. 300-532

J. 300-515

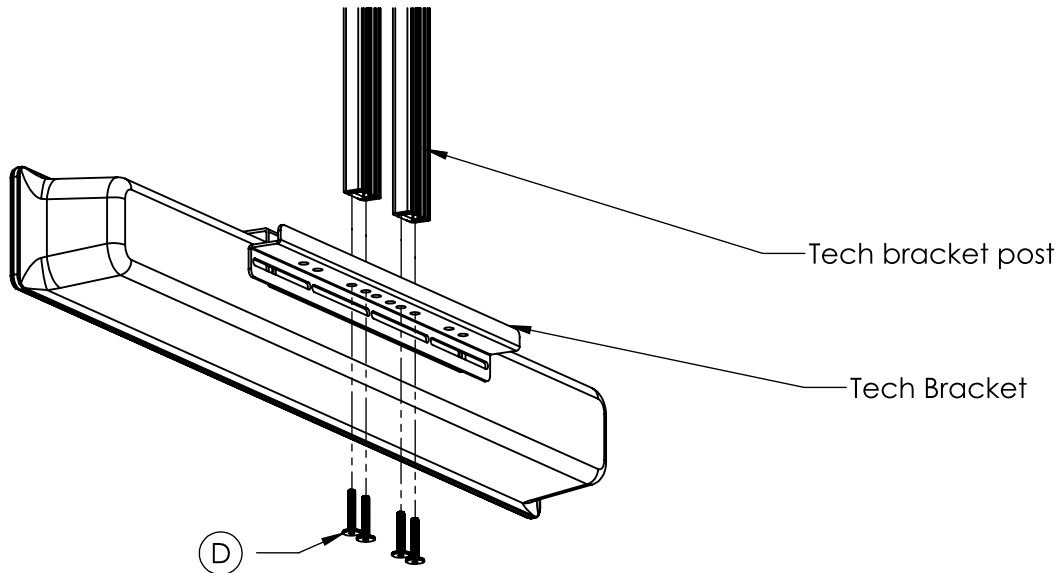
Note: Fasteners G, H, I, and J can be used in conjunction with A to attach a device to the tech bracket.



1. Attach Tech Bracket

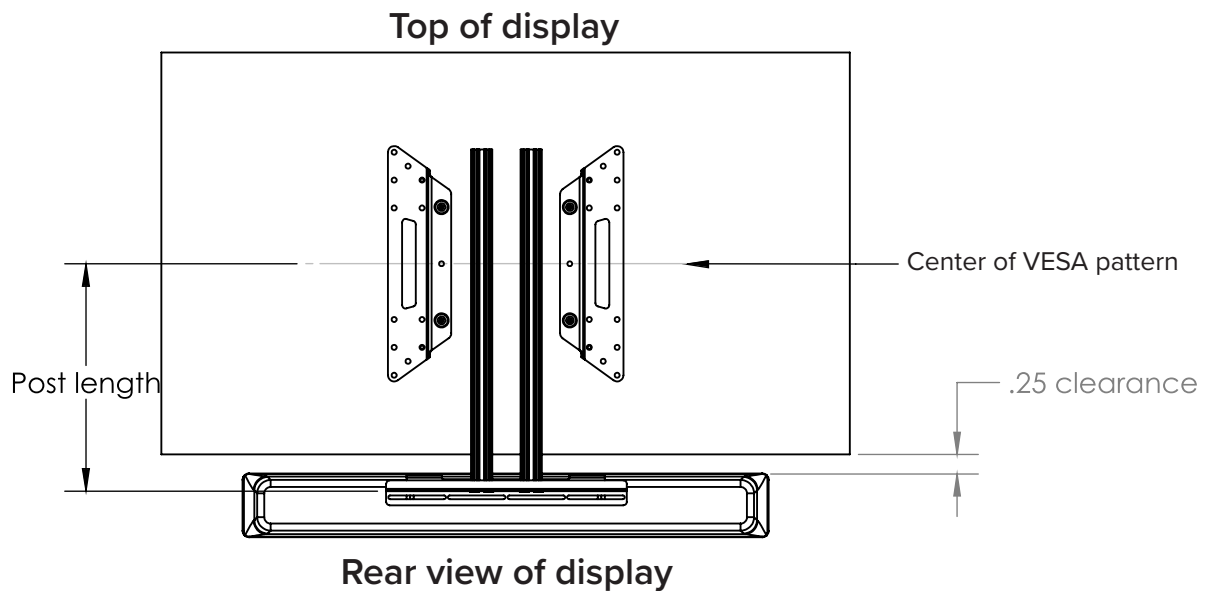
A. Install your device to the tech bracket using the manufacturers supplied hardware in the correct orientation for being mounted above or below.

B. Attach the Tech Bracket to the post using D screws. The solid flange goes to towards the rear of the post, facing down. It will face down for devices mounted above and up for devices mounted below. Do not over tighten the hardware.



2. Set Device in Position

Place the device with post at desired mounting location and mark the centerline of the display on the Tech Bracket post(s) leaving 1/4" of clearance between the device and display.

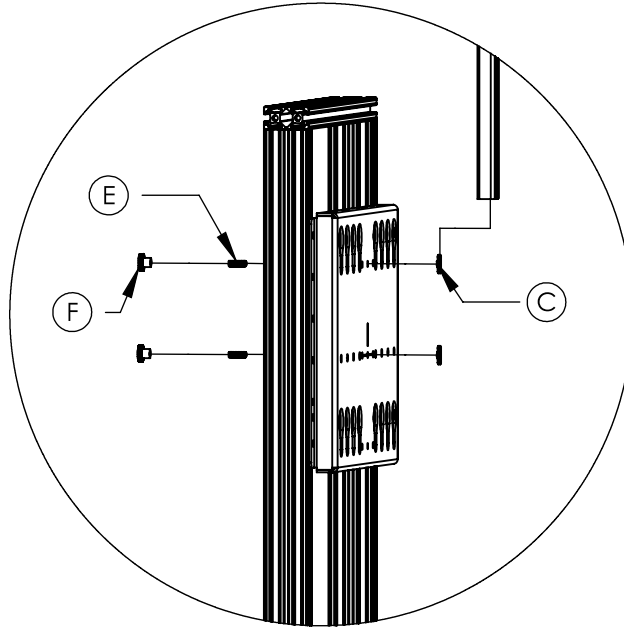


3. Attach Post to Header

Remove the Tech Bracket/device from the post.

Using 2 (E, F and C) hardware attach the bracket post to the display header with the threaded holes up for above display mounting and down for a below display mounting. Reference appropriate location according to the above chart.

Set the Tech Bracket post at the predetermined height in step 2 and tighten hardware



4. Install Displays

Install displays according to appropriate instructions.

5. Final Assembly

Reinstall tech bracket/device and manage wires as necessary.



LIMITED WARRANTY FOR COMMERCIAL VIDEO DISPLAY STANDS AND MOUNTS

Salamander is proud to stand behind our products with industry-leading warranties. Should you ever encounter any problem with your Salamander product, let us know. We are here to make it right. 1.800.535.5659 - 860.761.9500

Full warranty including limitations and warranty claim information may be found at www.salamanderdesigns.com/commercial/warranty