



Tech Bracket Installation - Dual Display

ASSEMBLY INSTRUCTIONS

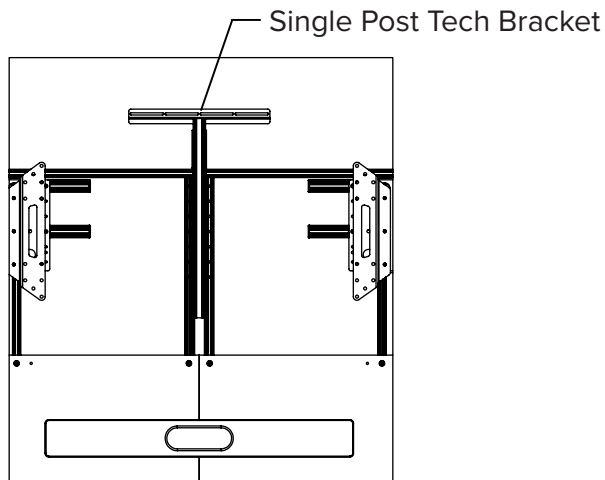
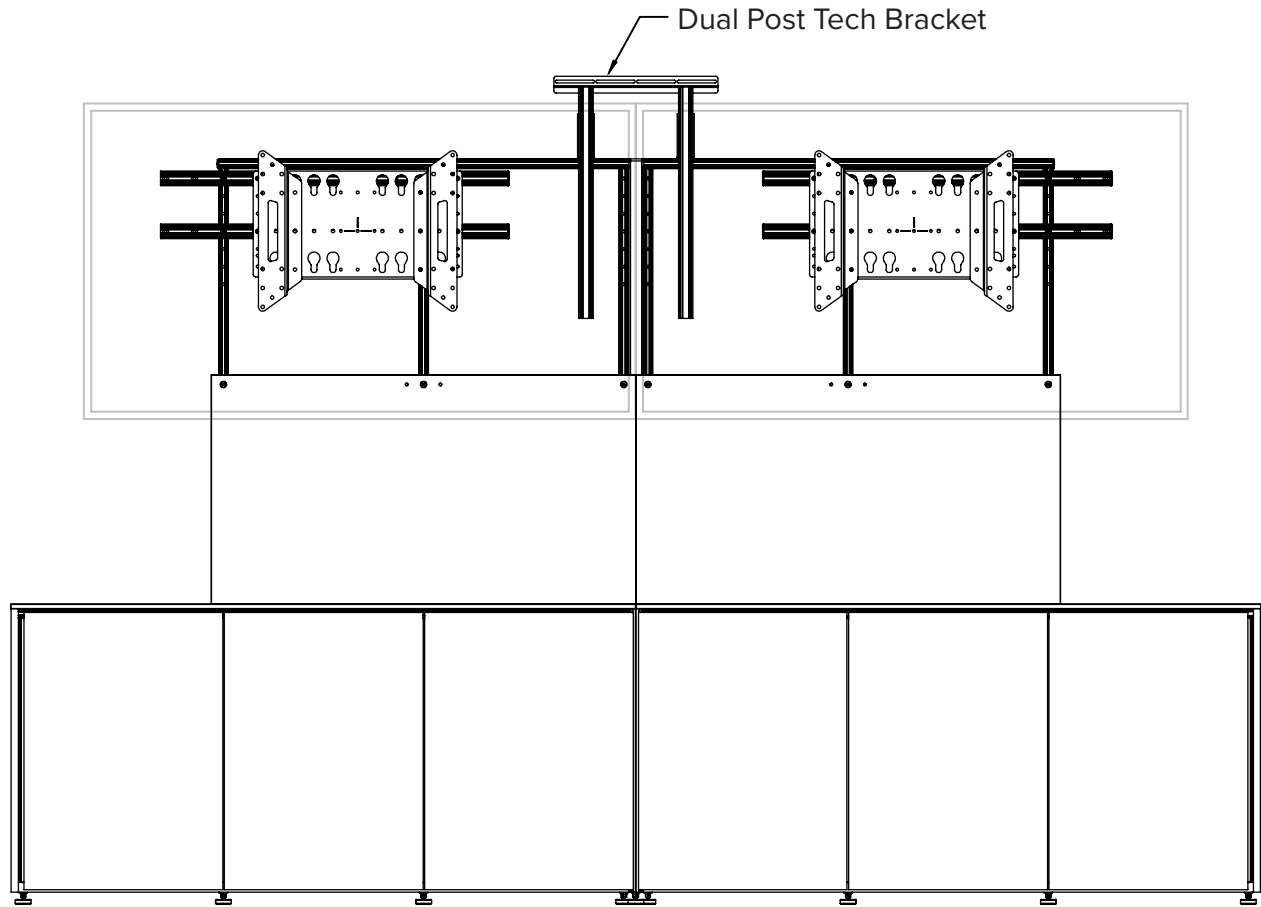


Install Tech Brackets above or below screen, and in conjunction with Tech Shelves prior to installing display.

If speaker/camera is mounted below, follow manufacturers instructions for wall mounting to the modesty panel.

Dual post max weight capacity: 25lbs

Single post max weight capacity 15lbs



Hardware

A. 300-485

B. 300-468

C. 300-560

D. 300-542

E. 300-512

F. 300-565

G. 303-525

H. 300-505

I. 300-530

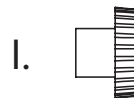
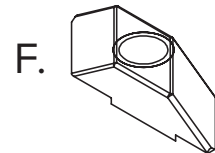
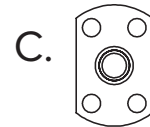
J. 302-305

K. 300-471

L. 300-532

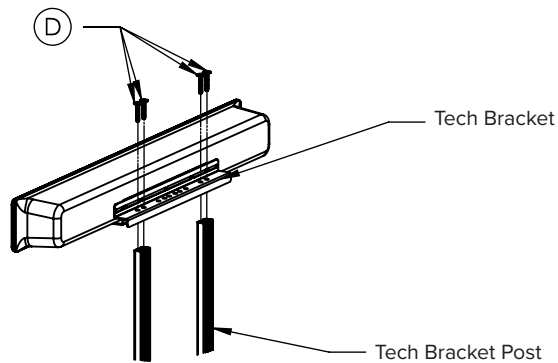
M. 300-515

Note: Fasteners A, J, K, L, and M can be used to attach a device to the Tech Bracket.



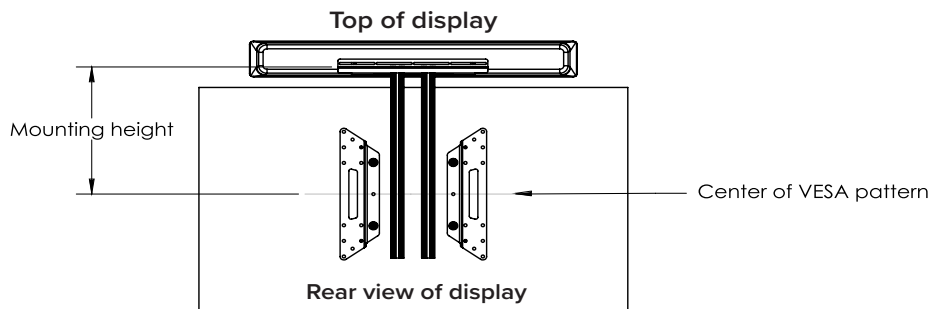
1. Attach Tech Bracket

- A. Install your device to the Tech Bracket using the manufacturers supplied hardware.
- B. Attach the Tech Bracket to the post using D screws. The solid flange goes to towards the rear of the post, facing down. Do not overtighten the hardware.



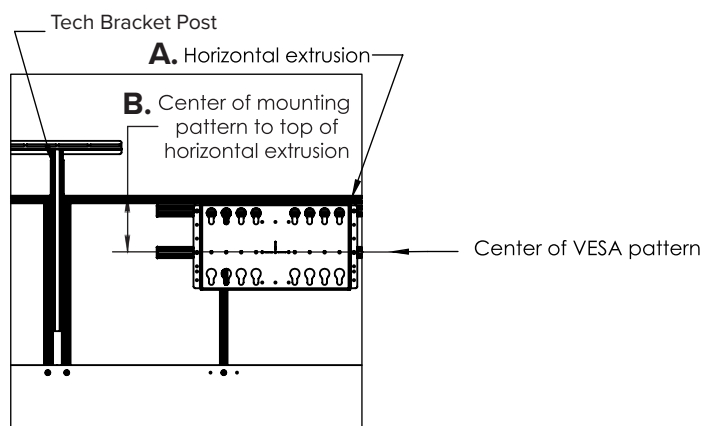
2. Set Device in Position

Place the device with post at desired mounting location and mark the centerline of the display on the Tech Bracket post(s) leaving 1/4" of clearance between the device and display.



For devices above the display Subtract A from B.

- A. Measure from the center of the mounting pattern to the top of the horizontal extrusion.
- B. Measure from the top of the horizontal extrusion to the top of the Tech Bracket post (threaded end) to set your height.



3. Remove Bracket from Post

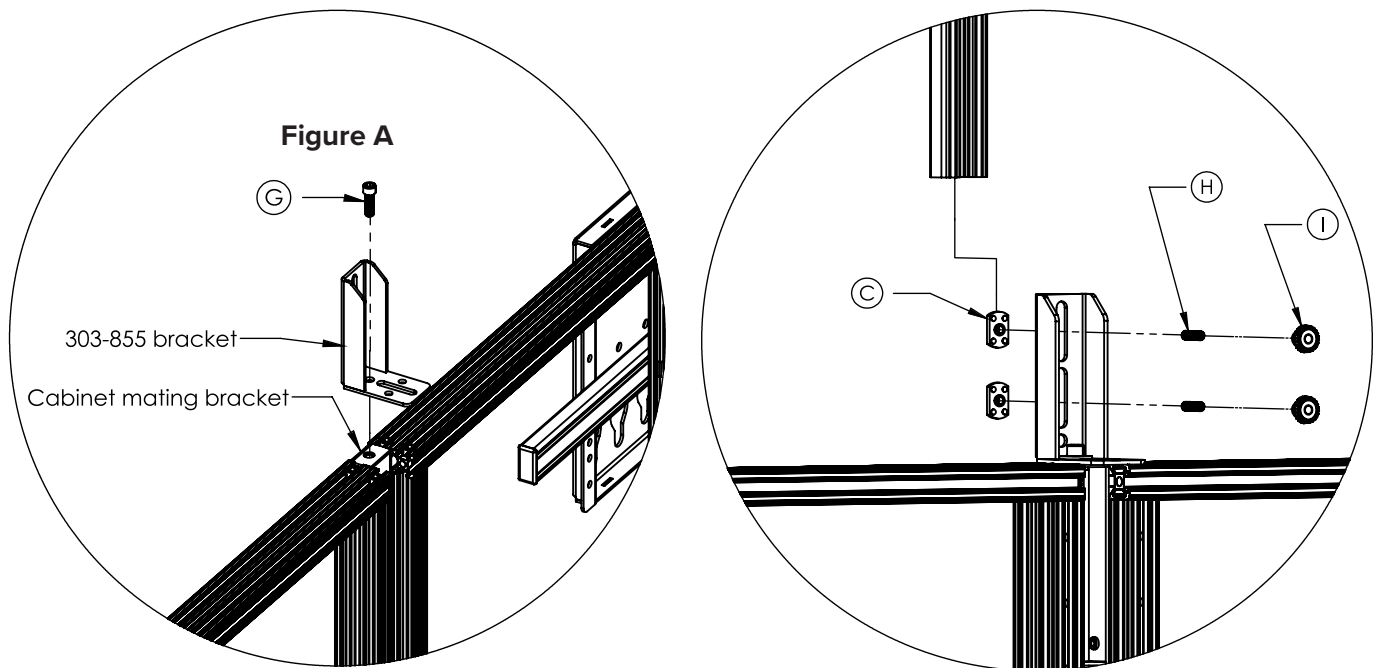
Remove the Tech Bracket/device from the post. When installing above, you will use the 303-855 bracket.

6 and 8 Bay Cabinets (Figure A):

Using 1 (G) screw attach the 303-855 bracket with the threaded holes facing up to cabinet post.

Install the tech shelf post to bracket using 2 sets of (C, H, and I) hardware through the slotted holes.

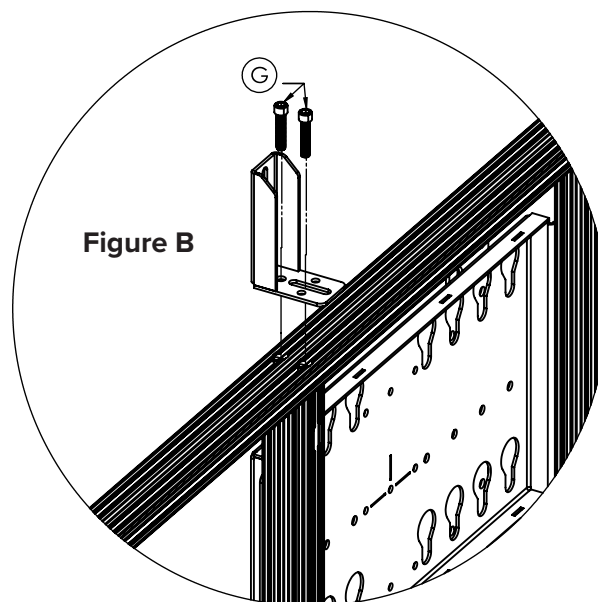
Set your post to the desired height and tighten.



4 Bay Cabinets (Figure B):

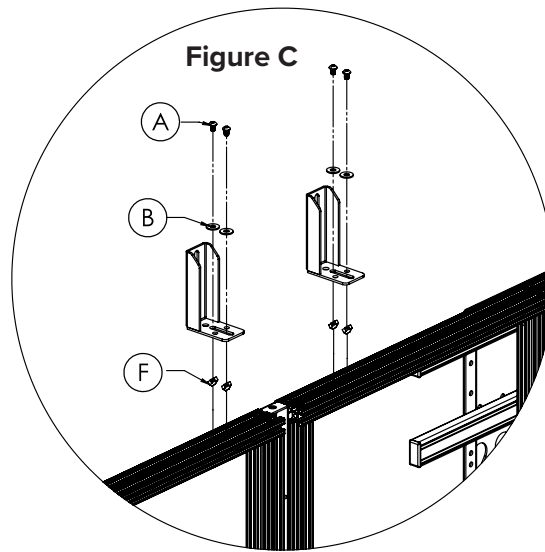
If the cabinet has a center vertical extrusion, first remove the 2 (G) screws.

Using the (G) screws install the (303-855) bracket to the top horizontal post.



Installing 2 Tech Shelves Above Display (Figure C):

Attach the 2 brackets (303-855) 12 1/16" apart from the outside edges using 4 sets of hardware (A, B, and F).

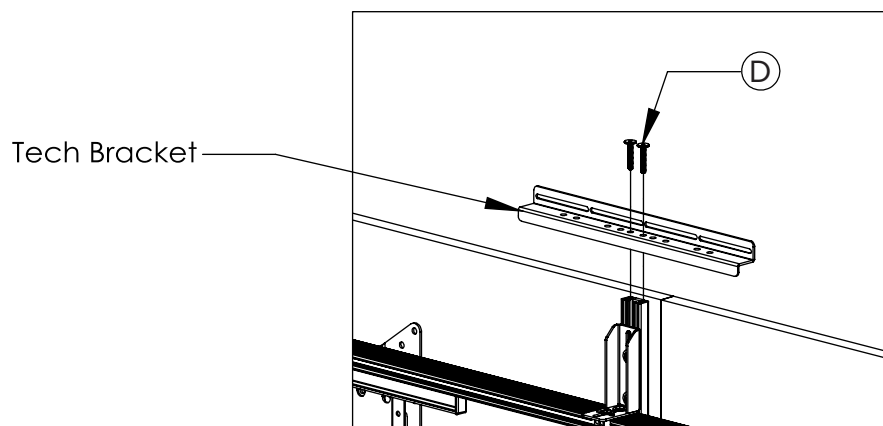


4. Install Displays

Reference display mount instructions.

5. Final Assembly

Reinstall Tech Bracket and device assembly to the post using two, D screws. Manage wires as necessary.



LIMITED WARRANTY FOR COMMERCIAL VIDEO DISPLAY STANDS AND MOUNTS

Salamander is proud to stand behind our products with industry-leading warranties. Should you ever encounter any problem with your Salamander product, let us know. We are here to make it right. 1.800.535.5659 - 860.761.9500

Full warranty including limitations and warranty claim information may be found at www.salamanderdesigns.com/commercial/warranty